

BLOWDOWN / DEPRESSURIZATION AND VENT VALVES BDV, BDVL, HVV and AFZ

DESCRIPTION

The BDV, AFZ and HVV vent valves are designed to drain (blowdown) or vent (depressurize) pipework, steam traps, valves and others.

USE:

BDV – Blowdown valves – Manual discharge of strainer screen contents and generally to be used as a drain and/or depressurization valve.

BDVL – Same as above, but also allows the discharge to be connected to a safe location.

HVV – Hand vent valves – Venting of float traps and generally to be used as a vent or depressurization valve.

AFZ – Anti-freeze device – Automatic discharge of condensate from steam traps, valves, pipelines and others, to prevent the condensate from freezing.

AVAILABLE MODELS:

BDV, BDVL, AFZ and HVV.

SIZES:

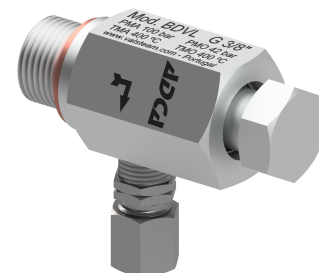
3/8" and M22.

CONNECTIONS:

NPT-M.
ISO 228.
Metric fine pitch.



BDV



BDVL



AFZ

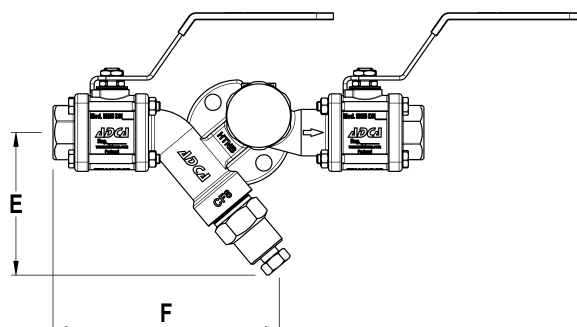
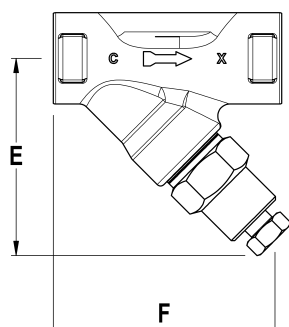


HVV

LIMITING CONDITIONS	
Body design conditions	PN 100
TMO – Maximum operating temperature	400 °C
PMO – Maximum operating pressure	42 bar
AFZ opening pressure	≈ 0,2 bar
AFZ closing pressure	≈ 0,3 bar

DIMENSIONS WHEN APPLYING BDV TO STEAM TRAPS AND UNIVERSAL CONNECTORS (mm)

SIZE	BDV SIZE	STEAM TRAP MODEL															
		DT46		DT42/2		TH32		BM20		BM32		CDV		UCX41		CTS4U	
		E	F	E	F	E	F	E	F	E	F	E	F	E	F	E	F
1/2" – DN 15	M22	83	94	83	94	83	94	83	94	83	94	83	94	83	102	94	148
3/4" – DN 20	M22	83	94	83	94	83	94	83	94	83	94	83	94	83	102	94	148
1" – DN 25	M22	90	100	90	100	90	100	90	100	90	100	90	100	83	108	–	–

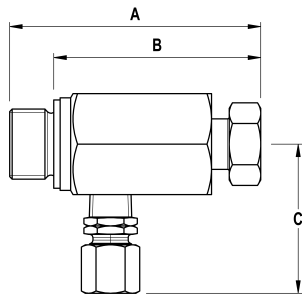


DIMENSIONS (mm) – BDV					
SIZE	A	B	SW1	SW2	WEIGHT (kg)
3/8"	61	50	24	17	0,16
M22	60	48	30	17	0,205

DIMENSIONS (mm) – BDVL						
SIZE	A	B	C	SW1	SW2	WEIGHT (kg)
3/8"	61	50	35,5	24	17	0,16

DIMENSIONS (mm) – HVV					
SIZE	A	B	SW1	SW2	WEIGHT (kg)
3/8"	61	49	24	17	0,17

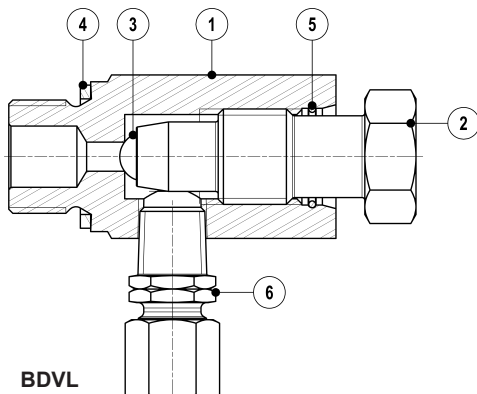
DIMENSIONS (mm) – AFZ				
SIZE	A	B	SW1	WEIGHT (kg)
3/8"	61	50	24	0,14



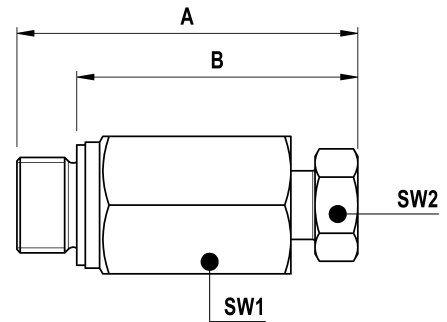
BDVL

MATERIALS		
POS. N°	DESIGNATION	MATERIAL
1	Body	AISI 303 / 1.4301
2	Valve screw	AISI 410 / 1.4301
3	Ball valve	AISI 440C / 1.4125
4	* Gasket	Stainless steel / Graphite; Copper / Stainless steel
5	Retaining ring	Spring steel
6	Compression fitting 1/8" x 6 mm	AISI 316 / 1.4401
6.1	Compression fitting 1/4" x 8 mm	AISI 316 / 1.4401
7	Spring	AISI 302 / 1.4310
8	Ball retainer	AISI 303 / 1.4305

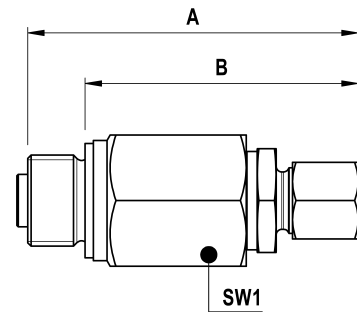
* Not applicable in NPT version.



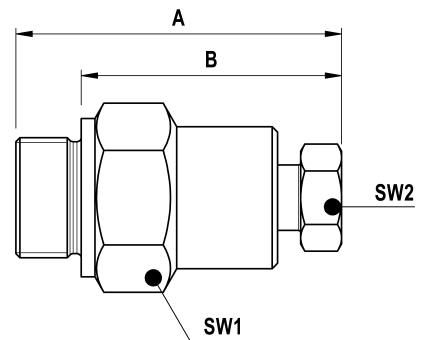
BDVL



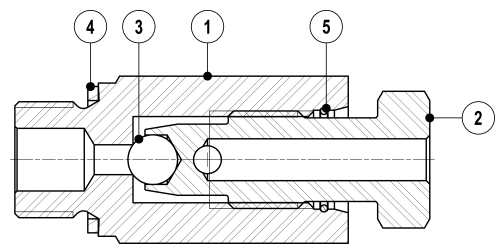
BDV / HVV



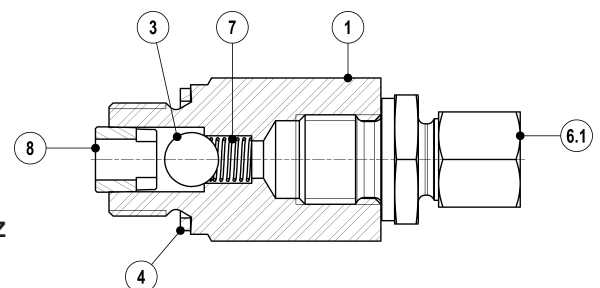
AFZ



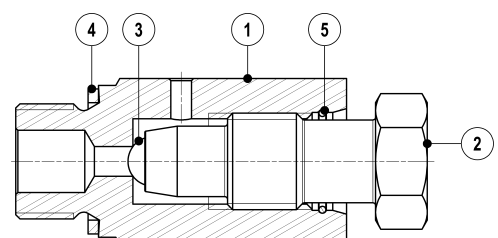
BDV-M22



BDV



AFZ



HVV