

BIMETALLIC STEAM TRAPS AND AIR ELIMINATORS BSS20

DESCRIPTION

BSS20 all stainless steel bimetallic steam traps and air eliminators are simple and robust traps, specially suited for instrument tracing, line tracing applications and where condensate sensible heat can be recovered. It is specially recommended as air eliminator. The use of condensate sensible heat reduces steam consumption.

MAIN FEATURES

- Modulating discharge.
- Discharges condensate below steam temperature.
- Excellent air discharge.
- Operates on moderate superheated steam.
- Unaffected by water hammer and vibrations.
- Built-in strainer.

USE: Saturated and superheated steam.

AVAILABLE

MODELS: BSS20 – stainless steel.

SIZES: 1/2".

CONNECTIONS: Female threaded ISO 7 Rp or NPT.

INSTALLATION: Horizontal or vertical installation.
See IMI – Installation and maintenance instructions.



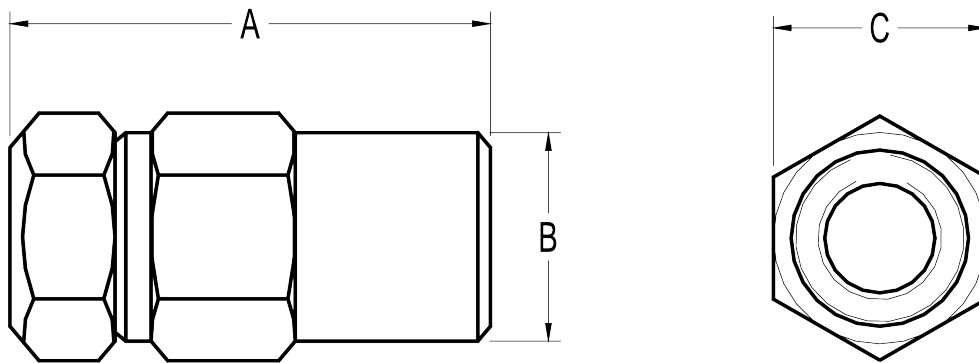
BODY LIMITING CONDITIONS	
THREADED PN 40 ALLOWABLE PRESSURE	RELATED TEMPERATURE
34,4 bar	100 °C
30,8 bar	150 °C
28 bar	200 °C
26 bar	250 °C

PMO – Maximum operating pressure: 20 bar;
TMO – Max. operating temperature 250 °C.

CE MARKING – GROUP 2 (PED – European Directive)	
PN 40	Category
1/2"	SEP

FLOW RATE CAPACITY (kg/h)														
MODEL	SIZE	DIFFERENTIAL PRESSURE (bar)												
		0,6	1	2	3	4	5	6	7	8	10	13	15	20
BSS20	1/2" A	45	65	100	130	155	170	195	205	220	245	255	270	330
BSS20	1/2" B	150	230	350	440	490	540	630	650	680	730	820	980	1120

A: Condensate discharge at 10 °C below saturation temperature; B: Cold water capacity around 20 °C.



DIMENSIONS (mm)				
SIZE	A	B	C	WEIGHT (kg)
1/2"	80	35	36	0,42

MATERIALS		
POS. N°	DESIGNATION	MATERIAL
1	Body	AISI 304 / 1.4301
2	Cover	AISI 304 / 1.4301
3	* Valve assembly	Special stainless steel
4	* Gasket	AISI 304 / 1.4301
5	* Strainer cover	AISI 304 / 1.4301

* Available spare parts.

