

FLOAT AND THERMOSTATIC STEAM TRAPS

FLT17LC

(1/2" – 3/4"; DN 15 – DN 20)

DESCRIPTION

The FLT17LC float and thermostatic (integral air vent) steam traps series are designed for all types of low and high pressure steam heating and process equipment.

Typical applications include unit heaters, heat exchangers, driers, jacketed vessels and all the applications where continuous drainage is essential.

MAIN FEATURES

Modulating discharge.
Discharges condensate at steam temperature.
Unaffected by sudden or wide load and pressure changes.
Excellent air discharge (by thermostatic air vent).

OPTIONS: SLR – steam lock release.
Equalizing plug or vent connection.

USE: Saturated and superheated steam.

AVAILABLE MODELS: FLT17LC-4,5 , 10 and 14 – SG iron.

SIZES: 1/2" to 3/4"; DN 15 to DN 20.

CONNECTIONS: Female threaded ISO 7 Rp or NPT.
Flanged EN 1092-2 PN 16.
Flanged ASME B16.42 Class 150.

INSTALLATION: Standard horizontal installation – from right to left (R-L). See IMI – Installation and maintenance instructions.

On request: Horizontal installation with the flow from left to right (L-R) or vertical with the flow from top to bottom (V).

MAX. ΔP: FLT17LC-4,5 – 4,5 bar
FLT17LC-10 – 10 bar
FLT17LC-14 – 14 bar

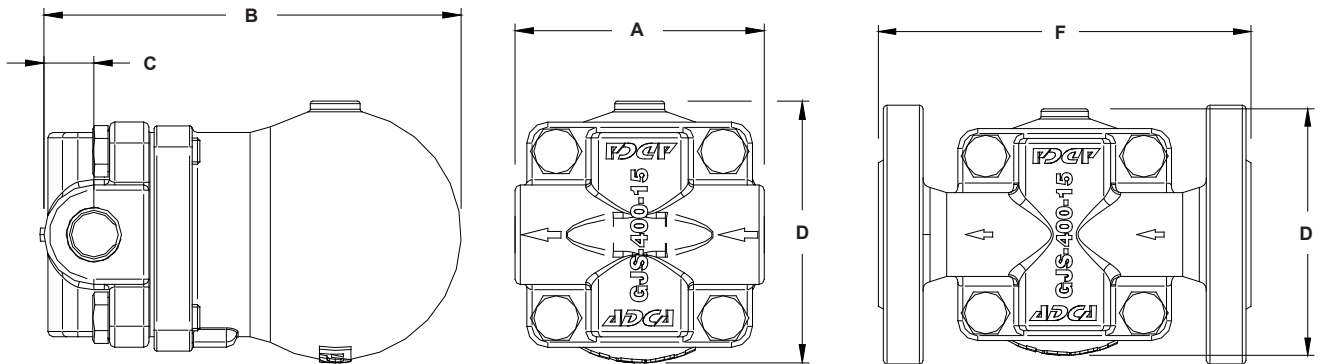


CE MARKING – GROUP 2 (PED – European Directive)	
PN 16	Category
1/2" to 3/4" – DN 15 to DN 20	SEP

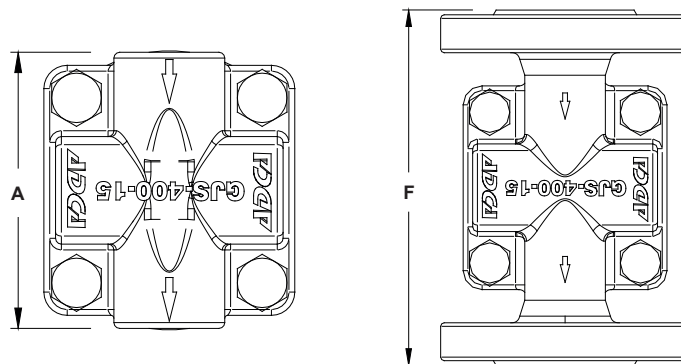
BODY LIMITING CONDITIONS		
FLANGED PN 16 *	FLANGED CLASS 150 **	RELATED TEMP.
ALLOWABLE PRESSURE	ALLOWABLE PRESSURE	
16 bar	15,4 bar	100 °C
15,5 bar	14,6 bar	150 °C
14,7 bar	13,8 bar	200 °C
13,9 bar	12,1 bar	250 °C

PMO – Maximum operating pressure 14 bar;
TMO – Maximum operating temperature 198 °C.
* Acc. to EN 1092-2:2018; ** Acc. to EN 1759-1:2004.
Body limiting conditions PN 16 or below, depending on the type of connection adopted. Rating PN 16 for threaded version.

FLOW RATE CAPACITY (kg/h)																	
MODEL	SIZE	DIFFERENTIAL PRESSURE (bar)															
		0,1	0,3	0,5	0,7	1	1,5	2	3	4,5	6	7	8	9	10	12	14
FLT17LC-4,5	1/2" to 3/4" DN 15 to 20	120	180	200	240	280	320	360	400	495	–	–	–	–	–	–	–
FLT17LC-10	1/2" to 3/4" DN 15 to 20	55	90	110	130	140	175	190	230	280	300	330	350	390	405	–	–
FLT17LC-14	1/2" to 3/4" DN 15 to 20	40	60	70	90	100	120	140	155	190	210	220	225	230	260	280	300



Horizontal Installation (R-L)

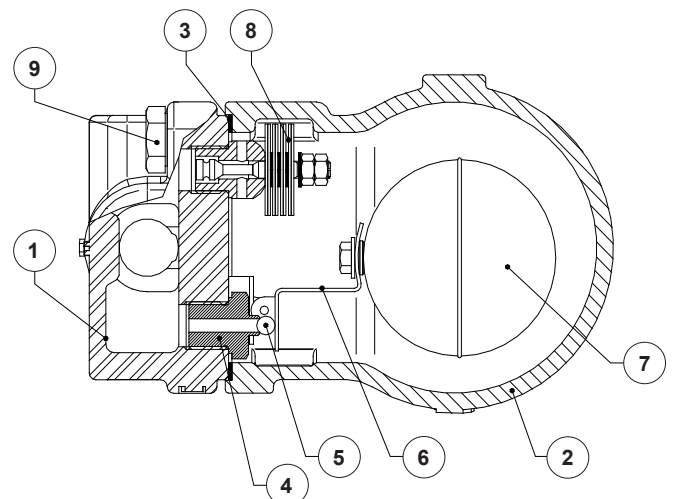


Vertical Installation (V)

DIMENSIONS (mm)									
THREADED					PN 16			CLASS 150	
SIZE	A	B	C	D	WEIGHT (kg)	F	WEIGHT (kg)	F	WEIGHT (kg)
1/2" – DN 15	95	160	23	100	3,5	150	5	150	4,5
3/4" – DN 20	95	160	23	100	3,5	150	5,5	150	4,7

MATERIALS		
POS. N°	DESIGNATION	MATERIAL
1	Body	GJS-400-15 / 0.7040
2	Cover	GJS-400-15 / 0.7040
3	* Gasket	Stainless steel / Graphite
4	* Seat	AISI 410 / 1.4006
5	* Valve	AISI 410 / 1.4006
6	* Lever	AISI 304 / 1.4301
7	* Float	AISI 304 / 1.4301
8	* Air vent	Stainless st. (bimetallic)
9	Bolts	Steel 8.8

* Available spare parts.



FLOAT AND THERMOSTATIC STEAM TRAPS

FLT17

(1/2" – 1"; DN 15 – DN 25)

DESCRIPTION

The FLT17 float and thermostatic (integral air vent) steam traps series are designed for all types of low and high pressure steam heating and process equipment.

Typical applications include unit heaters, heat exchangers, driers, jacketed vessels and all the applications where continuous drainage is essential.

MAIN FEATURES

Modulating discharge.
Discharges condensate at steam temperature.
Unaffected by sudden or wide load and pressure changes.
Excellent air discharge (by thermostatic air vent).

OPTIONS: SLR – steam lock release.
Equalizing plug or vent connection.

USE: Saturated and superheated steam.

AVAILABLE MODELS: FLT17-4,5 , 10 and 14 – SG iron.

SIZES: 1/2" to 1"; DN 15 to DN 25.

CONNECTIONS: Female threaded ISO 7 Rp or NPT.
Flanged EN 1092-2 PN 16.
Flanged ASME B16.42 Class 150.

INSTALLATION: Standard horizontal installation – from right to left (R-L). See IMI.
On request: Horizontal installation with the flow from left to right (L-R) or vertical with the flow from top to bottom (V).

MAX. ΔP: FLT17-4,5 – 4,5 bar
FLT17-10 – 10 bar
FLT17-14 – 14 bar



BODY LIMITING CONDITIONS		
FLANGED PN 16 *	FLANGED CLASS 150 **	RELATED TEMP.
ALLOWABLE PRESSURE	ALLOWABLE PRESSURE	
16 bar	15,4 bar	100 °C
15,5 bar	14,6 bar	150 °C
14,7 bar	13,8 bar	200 °C
13,9 bar	12,1 bar	250 °C

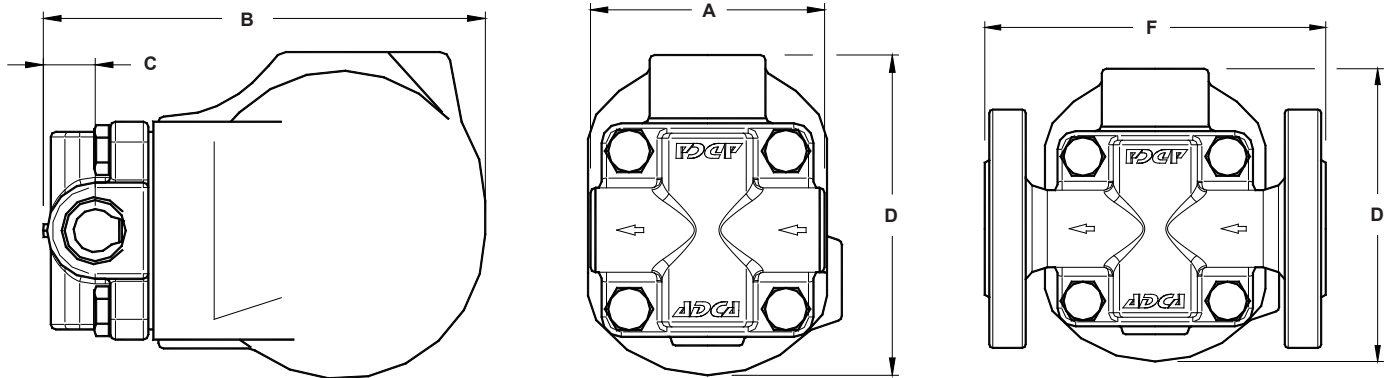
PMO – Maximum operating pressure 14 bar;
TMO – Maximum operating temperature 198 °C.
* Acc. to EN 1092-2:2018 ; ** Acc. to EN 1759-1:2004.
Body limiting conditions PN 16 or below, depending on the type of connection adopted. Rating PN 16 for threaded version.

CE MARKING – GROUP 2 (PED – European Directive)

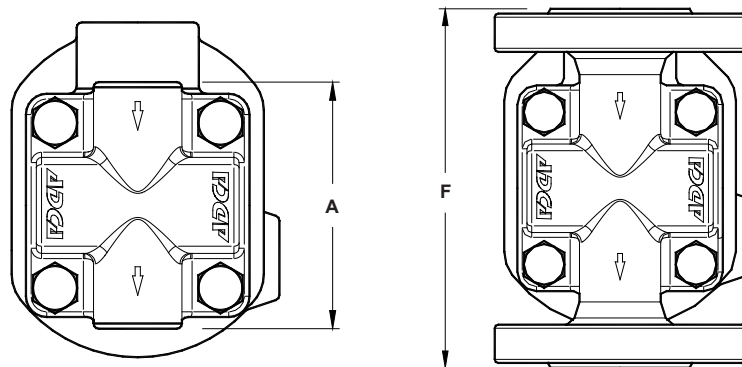
PN 16	Category
1/2" to 1" – DN 15 to DN 25	SEP

FLOW RATE CAPACITY (kg/h)

MODEL	SIZE	DIFFERENTIAL PRESSURE (bar)															
		0,1	0,3	0,5	0,7	1	1,5	2	3	4,5	6	7	8	9	10	12	14
FLT17-4,5	1/2" to 1" DN 15 to 25	165	205	230	280	330	400	440	535	630	–	–	–	–	–	–	–
FLT17-10	1/2" to 1" DN 15 to 25	110	130	150	170	200	250	280	340	400	460	495	520	550	595	–	–
FLT17-14	1/2" to 1" DN 15 to 25	80	100	120	140	150	190	220	260	320	380	400	425	440	480	510	550



Horizontal Installation (R-L)

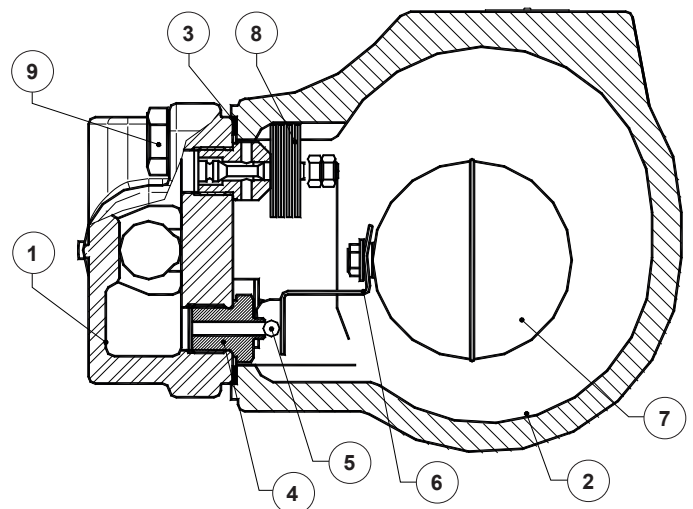


Vertical Installation (V)

DIMENSIONS (mm)									
SIZE	THREADED					PN 16		CLASS 150	
	A	B	C	D	WEIGHT (kg)	F	WEIGHT (kg)	F	WEIGHT (kg)
1/2" – DN 15	95	178	23	128	5,2	150	6,7	150	6,2
3/4" – DN 20	95	178	23	128	5,2	150	7,2	150	6,4
1" – DN 25	95	178	23	128	5,2	160	7,7	160	7,3

MATERIALS		
POS. N°	DESIGNATION	MATERIAL
1	Body	GJS-400-15 / 0.7040
2	Cover	GJS-400-15 / 0.7040
3	* Gasket	Stainless steel / Graphite
4	* Seat	AISI 410 / 1.4006
5	* Valve	AISI 440C / 1.4125
6	* Lever	AISI 304 / 1.4301
7	* Float	AISI 304 / 1.4301
8	* Air vent	Stainless st. (bimetallic)
9	Bolts	Steel 8.8

* Available spare parts.



FLOAT AND THERMOSTATIC STEAM TRAPS FLT17 (1"HC; DN 25HC)

DESCRIPTION

The FLT17 float and thermostatic (integral air vent) steam traps series are designed for all types of low and high pressure steam heating and process equipment.

Typical applications include unit heaters, heat exchangers, driers, jacketed vessels and all the applications where continuous drainage is essential.

MAIN FEATURES

Modulating discharge.

Discharges condensate at steam temperature.

Unaffected by sudden or wide load and pressure changes.

Excellent air discharge (by thermostatic air vent).

OPTIONS: SLR – steam lock release.
Equalizing plug or vent connection.

USE: Saturated and superheated steam.

AVAILABLE MODELS: FLT17-4,5 , 10 and 14 – SG iron.

SIZES: 1"HC; DN 25HC.

CONNECTIONS: Female threaded ISO 7 Rp or NPT.
Flanged EN 1092-2 PN 16.
Flanged ASME B16.42 Class 150.

INSTALLATION: Standard horizontal installation – from left to right (L-R). See IMI – Installation and maintenance instructions.

On request: Horizontal installation with the flow from right to left (R-L) or vertical with the flow from top to bottom (V).

MAX. ΔP: FLT17-4,5 – 4,5 bar
FLT17-10 – 10 bar
FLT17-14 – 14 bar



BODY LIMITING CONDITIONS

FLANGED PN 16 *	FLANGED CLASS 150 **	RELATED TEMP.
ALLOWABLE PRESSURE	ALLOWABLE PRESSURE	
16 bar	15,4 bar	100 °C
15,5 bar	14,6 bar	150 °C
14,7 bar	13,8 bar	200 °C
13,9 bar	12,1 bar	250 °C

PMO – Maximum operating pressure 14 bar;
TMO – Maximum operating temperature 198 °C.

* Acc. to EN 1092-2:2018 ; ** Acc. to EN 1759-1:2004.

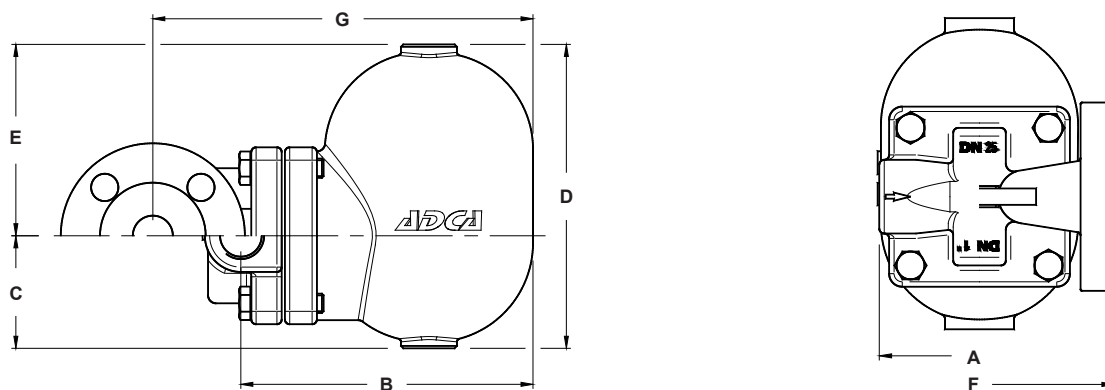
Body limiting conditions PN 16 or below, depending on the type of connection adopted. Rating PN 16 for threaded version.

CE MARKING – GROUP 2 (PED – European Directive)

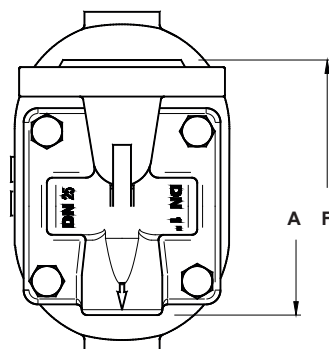
PN 16	Category
1"HC – DN 25HC	SEP

FLOW RATE CAPACITY (kg/h)

MODEL	SIZE	DIFFERENTIAL PRESSURE (bar)															
		0,1	0,3	0,5	0,7	1	1,5	2	3	4,5	6	7	8	9	10	12	14
FLT17-4,5	1"HC – DN 25HC	420	690	900	1070	1250	1450	1700	2010	2400	–	–	–	–	–	–	–
FLT17-10	1"HC – DN 25HC	360	405	450	530	620	790	880	1100	1250	1500	1600	1700	1750	1800	–	–
FLT17-14	1"HC – DN 25HC	270	310	340	395	435	530	600	610	850	990	1100	1190	1240	1300	1350	1380



Horizontal Installation (L-R)

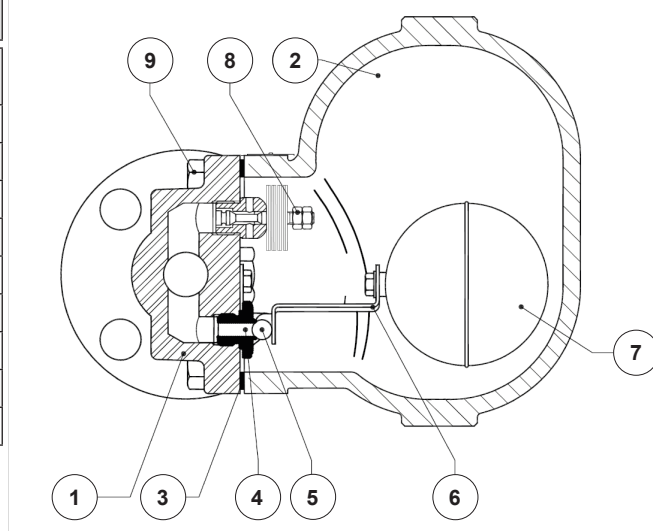


Vertical Installation (V)

DIMENSIONS (mm)												
THREADED							PN 16			CLASS 150		
SIZE	A	B	C	D	E	WEIGHT (kg)	F	G	WEIGHT (kg)	F	G	WEIGHT (kg)
1"HC – DN 25HC	120	195	80	190	110	9	160	248	11,3	160	248	10,9

MATERIALS		
POS. N°	DESIGNATION	MATERIAL
1	Body	GJS-400-15 / 0.7040
2	Cover	GJS-400-15 / 0.7040
3	* Gasket	Stainless steel / Graphite
4	* Seat	AISI 410 / 1.4006
5	* Valve	AISI 440C / 1.4125
6	* Lever	AISI 304 / 1.4301
7	* Float	AISI 304 / 1.4301
8	* Air vent	Stainless st. (bimetallic)
9	Bolts	Steel 8.8

* Available spare parts.



FLOAT AND THERMOSTATIC STEAM TRAPS FLT27 (SG iron 11/2" – 2"; DN 40 – 50)

DESCRIPTION

The FLT27 is a range of float and thermostatic steam traps with integral air vent designed for modulating discharge of condensate, ensuring maximum system heat transfer.

Typical applications include unit heaters, heat exchangers, dryers, jacketed vessels and other applications where continuous discharge is essential and high flow capacities are involved.

MAIN FEATURES

- Modulating discharge of condensate at steam temperature.
- Unaffected by sudden or wide load and pressure variations.
- No backing-up with condensate.
- Excellent air discharge through its integrated air vent.
- Flow direction can be easily changed by repositioning the body in relation to the mechanism and cover.

- OPTIONS:**
- Equalizing (vent) and drain connections.
 - SLR – Steam lock release.
 - HVV – Hand vent valve.
 - BDV – Blowdown valve.
 - AFZ – Anti-freeze device.
 - FLL – Float lifting lever.
 - VB21M – Vacuum breaker.

USE: Saturated and superheated steam.

AVAILABLE MODELS: FLT27-4,5 , 10 and 14 – SG iron.

SIZES: 11/2" to 2"; DN 40 to DN 50.

CONNECTIONS: Female threaded ISO 7 Rp or NPT.
Flanged EN 1092-2 PN 16.
Flanged ASME B16.42 Class 150.

INSTALLATION: Horizontal or vertical installation.

MAX. ΔP:
FLT27-4,5 – 4,5 bar
FLT27-10 – 10 bar
FLT27-14 – 14 bar

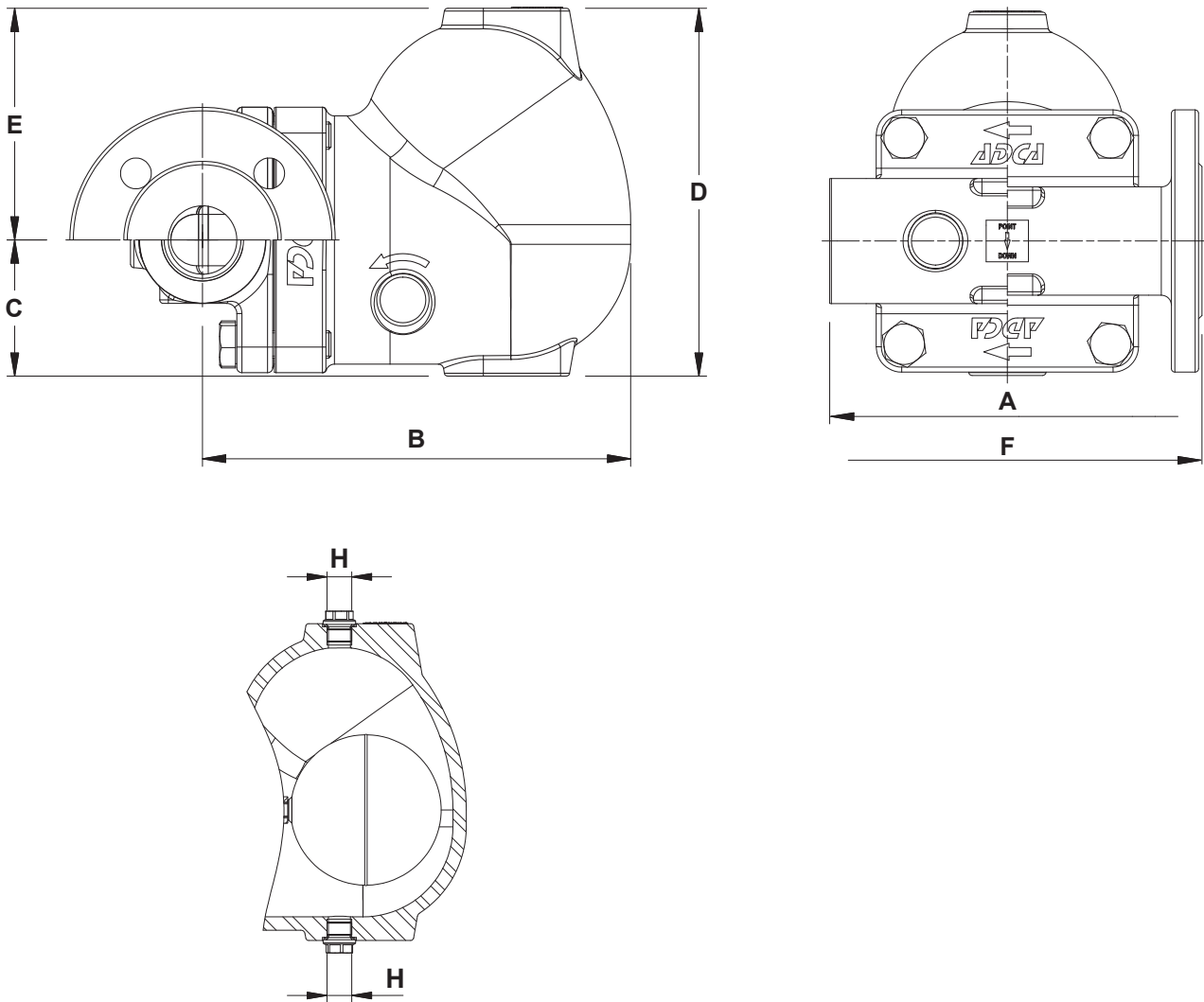


CE MARKING – GROUP 2 (PED – European Directive)	
PN 16	Category
11/2" to 2" – DN 40 to 50	SEP

BODY LIMITING CONDITIONS		
FLANGED PN 16 *	FLANGED CLASS 150 **	RELATED TEMP.
ALLOWABLE PRESSURE	ALLOWABLE PRESSURE	
16 bar	16 bar	100 °C
15,5 bar	14,8 bar	150 °C
14,7 bar	13,9 bar	200 °C
13,9 bar	12,1 bar	250 °C

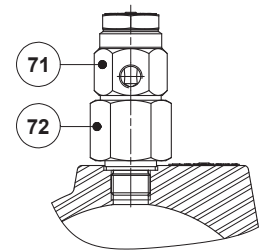
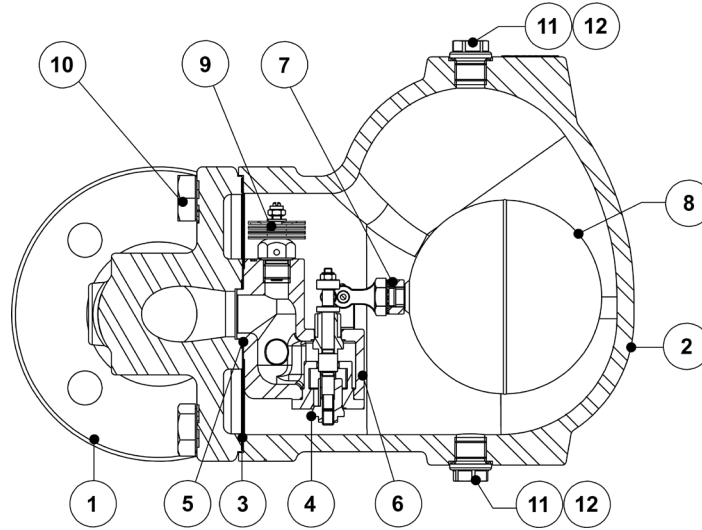
PMO – Maximum operating pressure: 14 bar.
TMO – Maximum operating temperature: 198 °C.
* Acc. to EN 1092-2:2018; ** Acc. to ASME B16.42.
Body limiting conditions PN 16 or below, depending on the type of connection adopted. Rating PN 16 for threaded versions.

FLOW RATE CAPACITY (kg/h)										
MODEL	SIZE	DIFFERENTIAL PRESSURE (bar)								
		0,5	1	1,5	2	4,5	7	10	12	14
FLT27-4,5	1 1/2" to 2" – DN 40 to 50	2400	3400	3900	4500	7300	–	–	–	–
FLT27-10	1 1/2" to 2" – DN 40 to 50	1500	2000	2600	3000	4000	5400	6200	–	–
FLT27-14	1 1/2" to 2" – DN 40 to 50	950	1300	1600	1800	2600	3250	3900	4210	4950

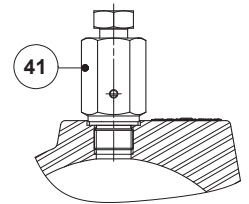


DIMENSIONS (mm)											
SIZE	THREADED							PN 16		CLASS 150	
	A	B	C	D	E	H *	WEIGHT (kg)	F	WEIGHT (kg)	F	WEIGHT (kg)
1 1/2" – DN 40	210	250	80	215	136	3/8"	19	230	21,9	230	20,4
2" – DN 50	210	250	80	215	136	3/8"	18,4	230	23,8	230	21,7

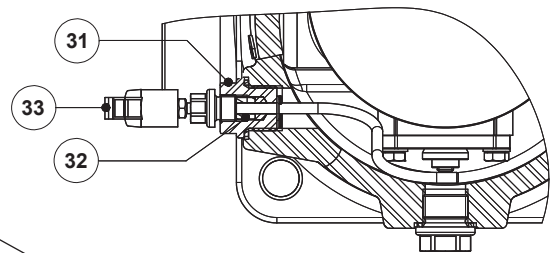
* As standard, in versions with EN flanges or female ISO 228 threads, these connections are female threaded ISO 228. In versions with ASME flanges or female NPT threads, these connections are female threaded NPT.



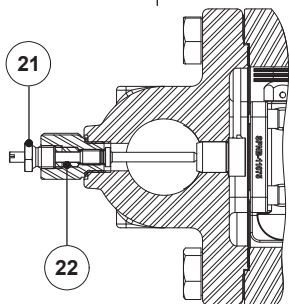
VB21M - Vacuum breaker



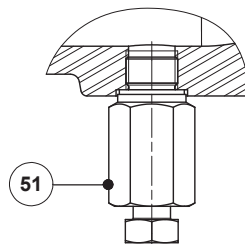
HVV - Hand vent valve



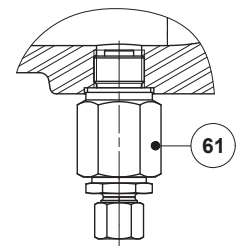
FLL - Float lifting lever



SLR - Steam lock release



BDV - Blowdown valve
(Manual)

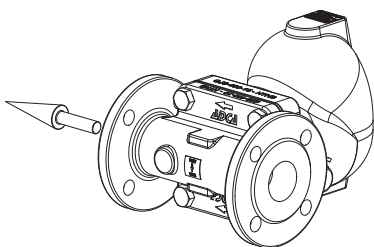


AFZ - Anti-freeze device
(Automatic)

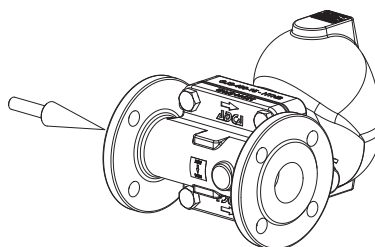
MATERIALS		
POS. N°	DESIGNATION	MATERIAL
1	Body	GJS-400-15 / 0.7040
2	Cover	GJS-400-15 / 0.7040
3	* Gasket	Stainless steel / Graphite
4	* Seat	A351 CF8 / 1.4308; A276-98B / 1.4057
5	* Gasket	Graphite
6	* Valve	AISI 316 / 1.4401; AISI 420 / 1.4021
7	* Lever	A351 CF8M / 1.4408
8	* Float	AISI 304 / 1.4301
9	* Automatic air vent	Stainless steel (bimetallic)
10	Bolts	Zinc plated steel
11	Plug	AISI 316L / 1.4404
12	** Gasket	Copper; AISI 304 / 1.4301
21	Steam Lock Release	AISI 420 / 1.4021 AISI 316L / 1.4404
22	Packing	Graphite
31	Lever mechanism	AISI 303 / 1.4305 ; AISI 304 / 1.4301; AISI 316L / 1.4404
32	Packing	Graphite
33	Lever	Plastic
41	Hand vent valve	AISI 303 / 1.4305; AISI 316L / 1.4404
51	Blowdown valve	AISI 303 / 1.4305; AISI 316L / 1.4404
61	Anti-freeze device	AISI 303 / 1.4305; AISI 316L / 1.4404
71	Vacuum breaker	AISI 303 / 1.4305
72	Adapter fitting	AISI 303 / 1.4305

* Available spare parts; ** Not applicable in NPT version.

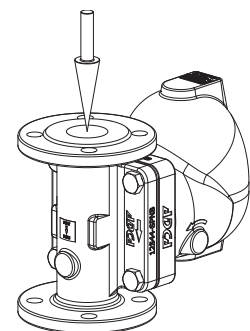
FLOW DIRECTION



IR - Horizontal from right to left



IL - Horizontal from left to right



IT - Vertical from top to bottom

ORDERING CODES FLT27										
Model	A27	2	V	XX	X	X	IR	A	40	
FLT27 – GJS-400-15 / 0.7040 SG iron	A27									
Differential pressure										
4,5 bar		2								
10 bar		3								
14 bar		4								
Automatic air vent										
Bimetallic air vent (standard)			V							
None			X							
Cover connections										
None				XX						
3/8" threaded connections on top and bottom, closed with plugs (mandatory if any options are considered)										
				10						
Options										
If any, these have specific separate ordering codes, please refer to the appropriate documentation.										
SLR - Steam lock release										
None					X					
With steam lock release assembled					S					
FLL - Float lifting lever										
None						X				
Lifting lever on the right side (when facing the steam trap body)										
						R				
Lifting lever on the left side (when facing the steam trap body)										
						L				
Flow direction										
Horizontal from right to left (standard)										
							IR			
Horizontal from left to right										
							IL			
Vertical from top to bottom										
							IT			
Pipe connections										
Female threaded ISO 7 Rp										
								A		
Female threaded NPT										
								C		
Flanged EN 1092-2 PN 16										
								L		
Flanged ASME B16.42 Class 150										
								U		
Size										
11/2" or DN 40										
									40	
2" or DN 50										
									50	
Special valves / Extras										
Full description or additional codes have to be added in case of a non-standard combination										
										E

FLOAT AND THERMOSTATIC STEAM TRAPS FLT29 (SG iron 2"; DN 50)

DESCRIPTION

The FLT29 is a range of float and thermostatic steam traps with integral air vent designed for modulating discharge of condensate, ensuring maximum system heat transfer.

Typical applications include unit heaters, heat exchangers, dryers, jacketed vessels and other applications where continuous discharge is essential and high flow capacities are involved.

MAIN FEATURES

- Modulating discharge of condensate at steam temperature.
- Unaffected by sudden or wide load and pressure variations.
- No backing-up with condensate.
- Excellent air discharge through its integrated air vent.
- Flow direction can be easily changed by repositioning the body in relation to the mechanism and cover.

- OPTIONS:
- Equalizing (vent) and drain connections.
 - SLR – Steam lock release.
 - HVV – Hand vent valve.
 - BDV – Blowdown valve.
 - AFZ – Anti-freeze device.
 - FLL – Float lifting lever.
 - VB21M – Vacuum breaker.

- USE: Saturated and superheated steam.

- AVAILABLE MODELS: FLT29-4,5 , 10 and 14 – SG iron.

- SIZES: 2"; DN 50.

- CONNECTIONS: Female threaded ISO 7 Rp or NPT.
Flanged EN 1092-2 PN 16.
Flanged ASME B16.42 Class 150.

- INSTALLATION: Horizontal or vertical installation.

- MAX. ΔP: FLT29-4,5 – 4,5 bar
FLT29-10 – 10 bar
FLT29-14 – 14 bar

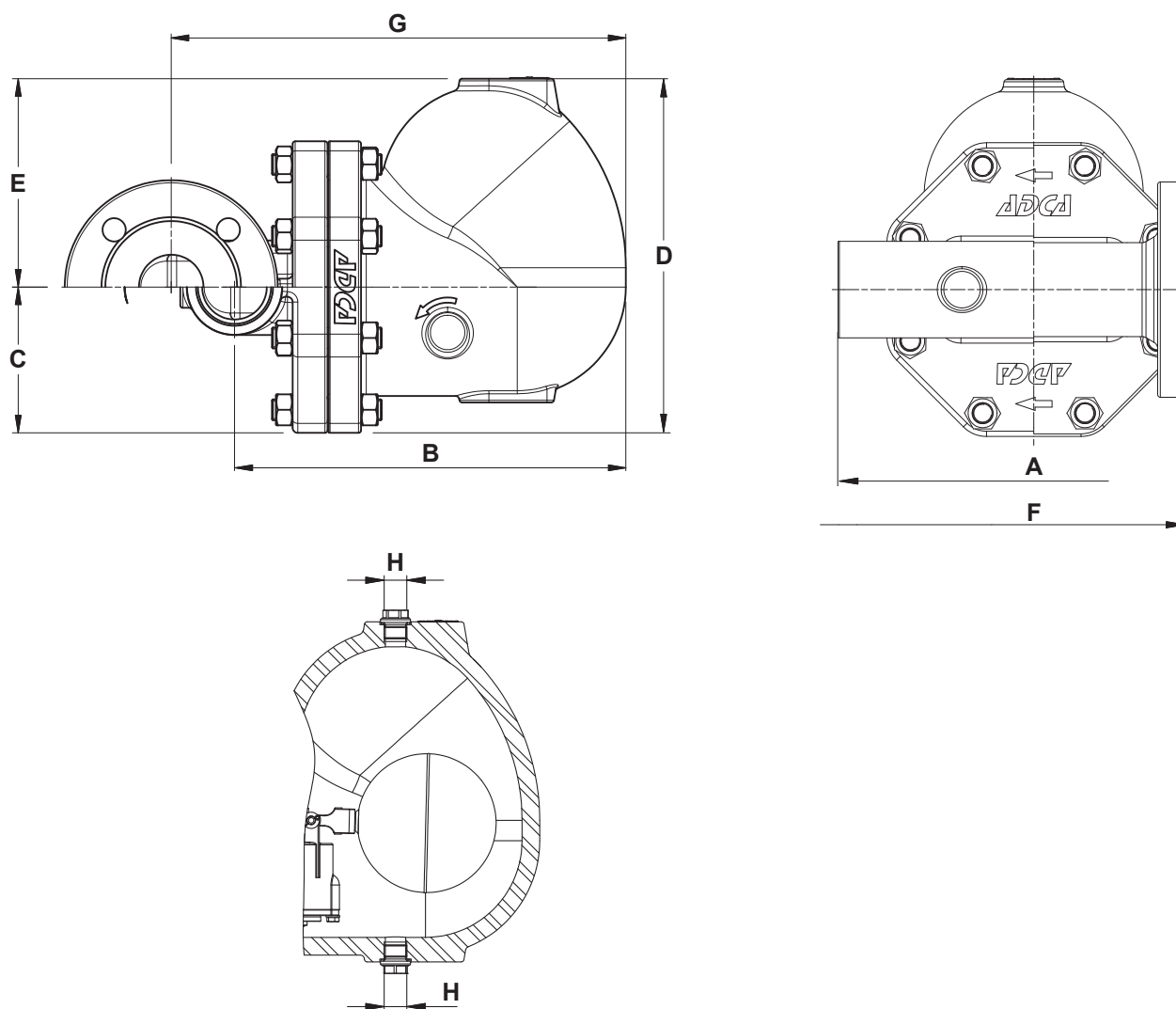


CE MARKING – GROUP 2 (PED – European Directive)	
PN 16	Category
2" – DN 50	1 (CE marked)

BODY LIMITING CONDITIONS		
FLANGED PN 16 *	FLANGED CLASS 150 **	RELATED TEMP.
ALLOWABLE PRESSURE	ALLOWABLE PRESSURE	
16 bar	16 bar	100 °C
15,5 bar	14,8 bar	150 °C
14,7 bar	13,9 bar	200 °C
13,9 bar	12,1 bar	250 °C

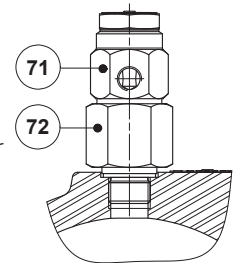
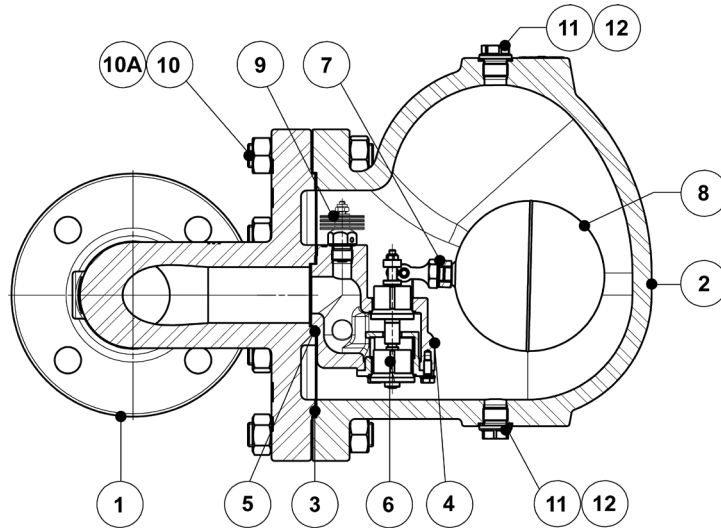
PMO – Maximum operating pressure: 14 bar.
TMO – Maximum operating temperature: 198 °C.
* Acc. to EN 1092-2:2018; ** Acc. to ASME B16.42.
Body limiting conditions PN 16 or below, depending on the type of connection adopted. Rating PN 16 for threaded versions.

FLOW RATE CAPACITY (kg/h)										
MODEL	SIZE	DIFFERENTIAL PRESSURE (bar)								
		0,5	1	1,5	2	4,5	7	10	12	14
FLT29-4,5	2" – DN 50	7550	11000	14000	15500	22500	–	–	–	–
FLT29-10	2" – DN 50	3900	5000	6100	7100	10000	13750	16000	–	–
FLT29-14	2" – DN 50	1900	2700	3100	3600	5000	6900	8100	9000	9800

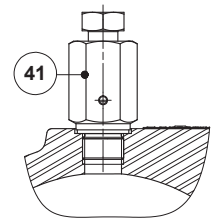


DIMENSIONS (mm)													
THREADED								PN 16			CLASS 150		
SIZE	A	B	C	D	E	H *	WEIGHT (kg)	F	G	WEIGHT (kg)	F	G	WEIGHT (kg)
2" – DN 50	300	303	80	215	136	3/8"	35,5	230	352	40,8	230	352	39,9

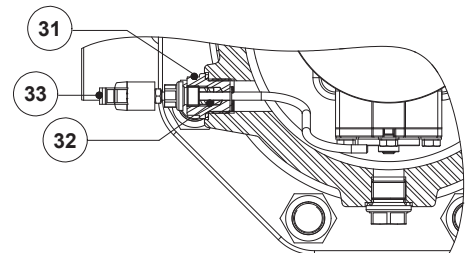
* As standard, in versions with EN flanges and female ISO 7 Rp threads, these connections are female threaded ISO 228. In versions with ASME flanges or female NPT threads, these connections are female threaded NPT.



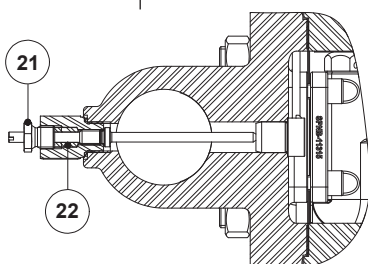
VB21M - Vacuum breaker



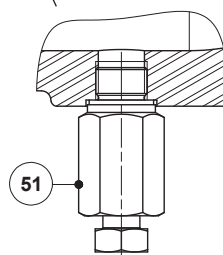
HVV - Hand vent valve



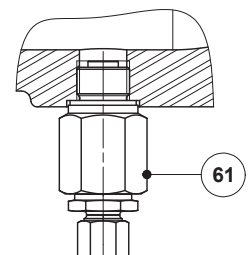
FLL - Float lifting lever



SLR - Steam lock release



BDV - Blowdown valve
(Manual)

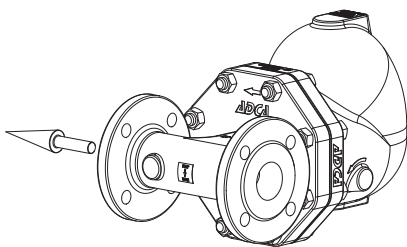


AFZ - Anti-freeze device
(Automatic)

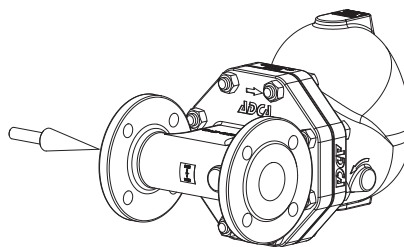
MATERIALS		
POS. N°	DESIGNATION	MATERIAL
1	Body (Flanged)	GJS-400-15 / 0.7040
	Body (Threaded)	A216 WCB / 1.0619
2	Cover	GJS-400-15 / 0.7040
3	* Gasket	Stainless steel / Graphite
4	* Seat	A351 CF8 / 1.4308; A276-98B / 1.4057
5	* Gasket	Graphite
6	* Valve	AISI 316 / 1.4401; AISI 420 / 1.4021
7	* Lever	A351 CF8M / 1.4408
8	* Float	AISI 304 / 1.4301
9	* Automatic air vent	Stainless st. (bimetallic)
10	Studs	Zinc plated steel
10A	Nuts	Zinc plated steel
11	Plug	AISI 316L / 1.4404
12	** Gasket	Copper; AISI 304 / 1.4301
21	Steam Lock Release	AISI 420 / 1.4021 AISI 316L / 1.4404
22	Packing	Graphite
31	Lever mechanism	AISI 303 / 1.4305; AISI 304 / 1.4301; AISI 316L / 1.4404
32	Packing	Graphite
33	Lever	Plastic
41	Hand vent valve	AISI 303 / 1.4305; AISI 316L / 1.4404
51	Blowdown valve	AISI 303 / 1.4305; AISI 316L / 1.4404
61	Anti-freeze device	AISI 303 / 1.4305; AISI 316L / 1.4404
71	Vacuum breaker	AISI 303 / 1.4305
72	Adapter fitting	AISI 303 / 1.4305

* Available spare parts; ** Not applicable in NPT version.

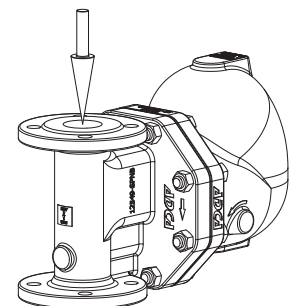
FLOW DIRECTION



IR - Horizontal from right to left



IL - Horizontal from left to right



IT - Vertical from top to bottom

ORDERING CODES FLT29										
Model	A29	2	V	XX	X	X	IR	A	50	
FLT29	A29									
Differential pressure										
4,5 bar		2								
10 bar		3								
14 bar		4								
Automatic air vent										
Bimetallic air vent (standard)			V							
None			X							
Cover connections										
None				XX						
3/8" threaded connections on top and bottom, closed with plugs (mandatory if any options are considered)					10					
Options										
If any, these have specific separate ordering codes, please refer to the appropriate documentation.										
SLR - Steam lock release										
None					X					
With steam lock release assembled					S					
FLL - Float lifting lever										
None						X				
Lifting lever on the right side (when facing the steam trap body)							R			
Lifting lever on the left side (when facing the steam trap body)							L			
Flow direction										
Horizontal from right to left (standard)								IR		
Horizontal from left to right								IL		
Vertical from top to bottom								IT		
Pipe connections										
Female threaded ISO 7 Rp									A	
Female threaded NPT									C	
Flanged EN 1092-2 PN 16									L	
Flanged ASME B16.42 Class 150									U	
Size										
2" or DN 50									50	
Special valves / Extras										
Full description or additional codes have to be added in case of a non-standard combination										E

FLOAT AND THERMOSTATIC STEAM TRAPS FLT29TW (SG iron 3" – 4"; DN 80 – 100)

DESCRIPTION

The FLT29TW is a range of high capacity float and thermostatic steam traps with integral air vent designed for modulating discharge of condensate, ensuring maximum system heat transfer. Typical applications include unit heaters, heat exchangers, dryers, jacketed vessels and other applications where continuous discharge is essential and high flow capacities are involved.

MAIN FEATURES

Modulating discharge of condensate at steam temperature.
Unaffected by sudden or wide load and pressure variations.
No backing-up with condensate.
Excellent air discharge through its integrated air vent.
Flow direction can be easily changed by repositioning the body in relation to the mechanism and cover.

OPTIONS: Equalizing (vent) and drain connections.
HVV – Hand vent valve.
BDV – Blowdown valve.
AFZ – Anti-freeze device.
VB21M – Vacuum breaker.

USE: Saturated and superheated steam.

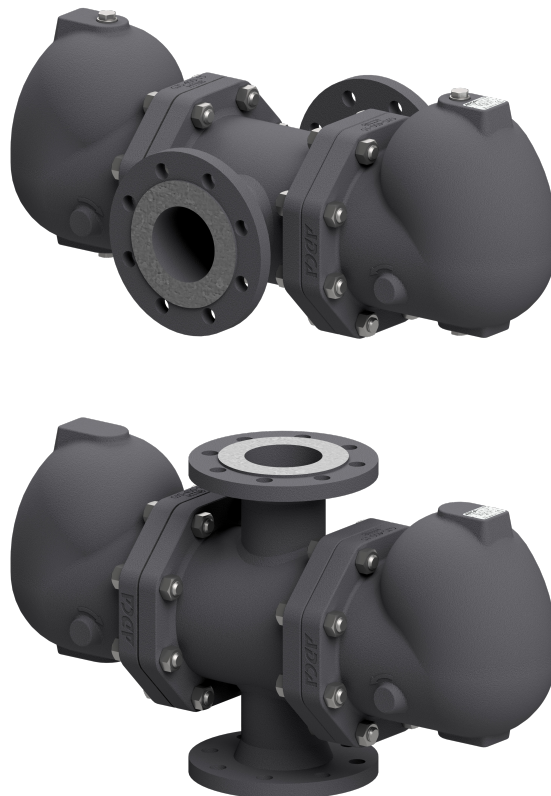
AVAILABLE MODELS: FLT29TW-4,5 , 10 and 14 – SG iron.

SIZES: 3" to 4"; DN 80 to DN 100.

CONNECTIONS: Flanged EN 1092-1 PN 16.
Flanged ASME B16.5 Class 150.

INSTALLATION: Horizontal or vertical installation.

MAX. ΔP: FLT29TW-4,5 – 4,5 bar
FLT29TW-10 – 10 bar
FLT29TW-14 – 14 bar

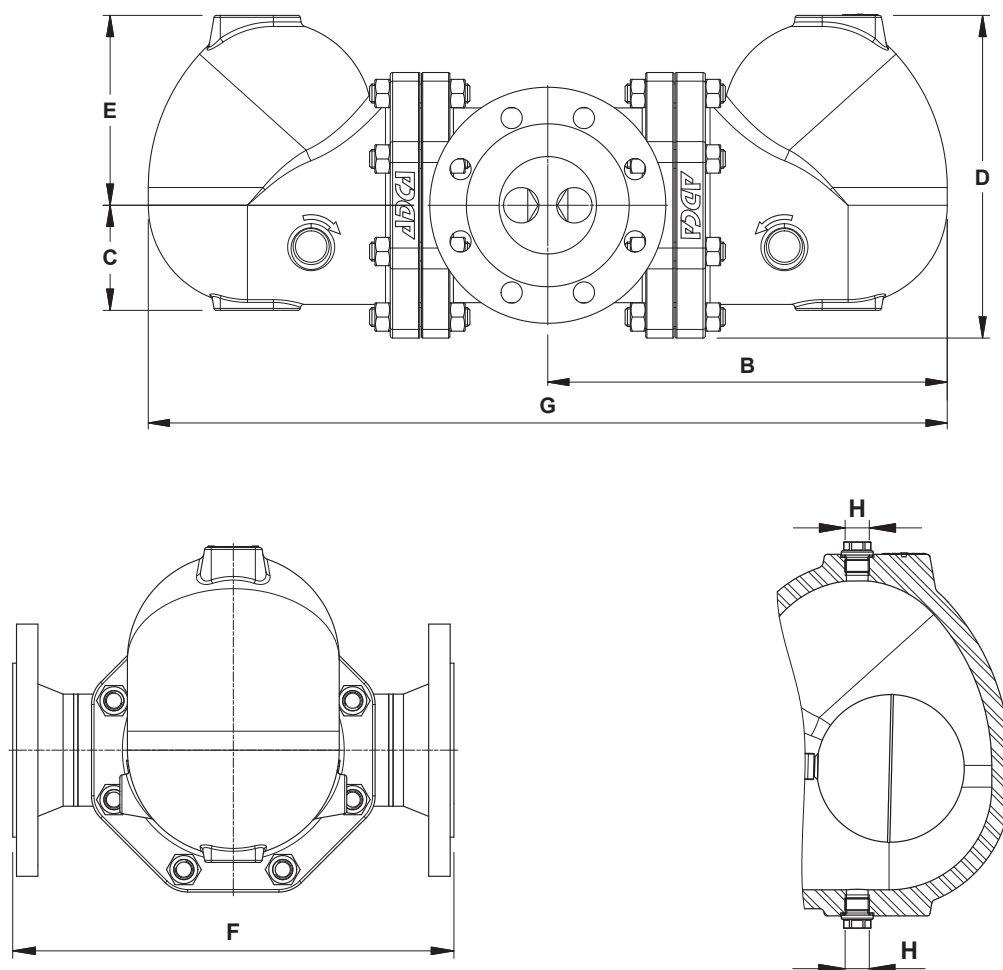


CE MARKING – GROUP 2 (PED – European Directive)	
PN 16	Category
3" to 4" – DN 80 to 100	1 (CE marked)

BODY LIMITING CONDITIONS		
FLANGED PN 16 *	FLANGED CLASS 150 **	RELATED TEMP.
ALLOWABLE PRESSURE	ALLOWABLE PRESSURE	
16 bar	16 bar	100 °C
15,5 bar	14,8 bar	150 °C
14,7 bar	13,9 bar	200 °C
13,9 bar	12,1 bar	250 °C

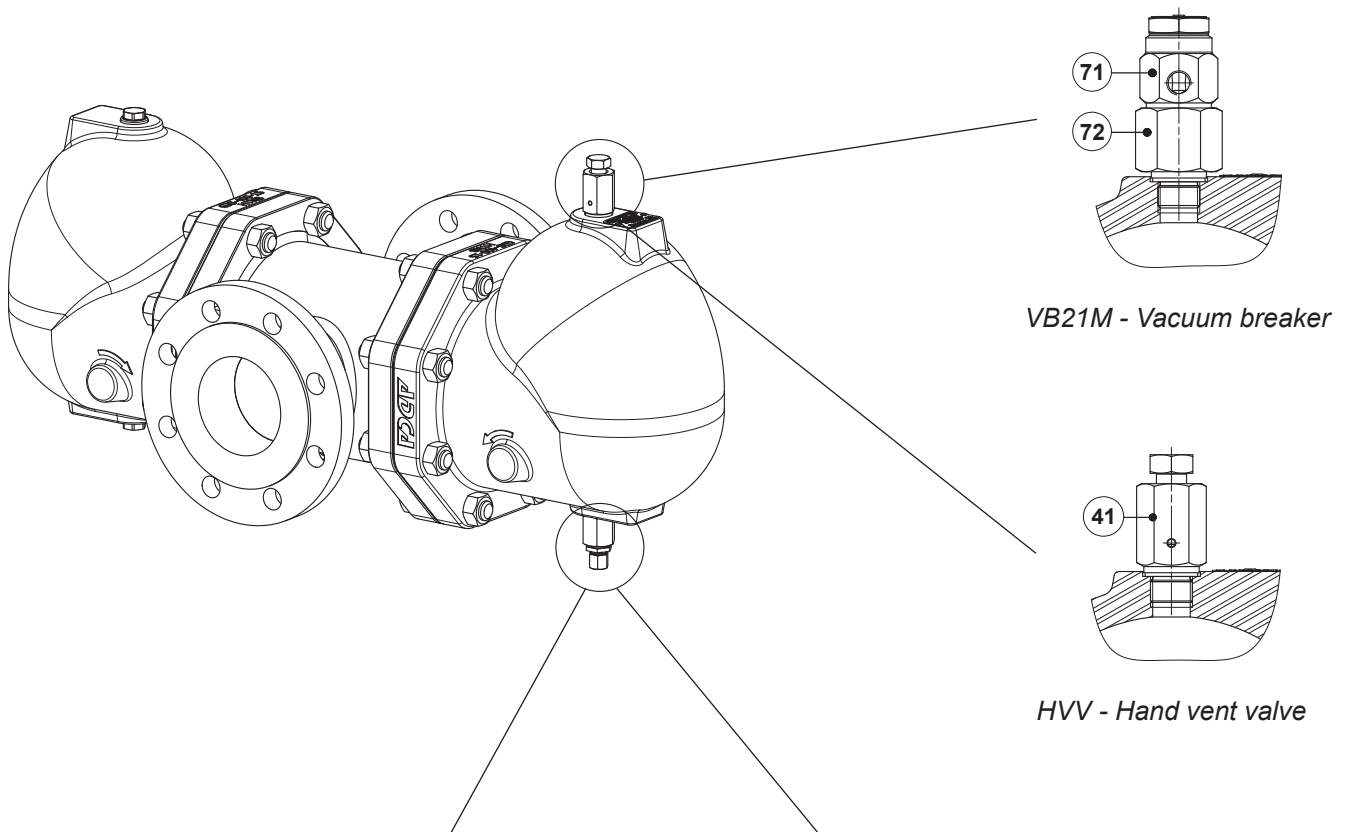
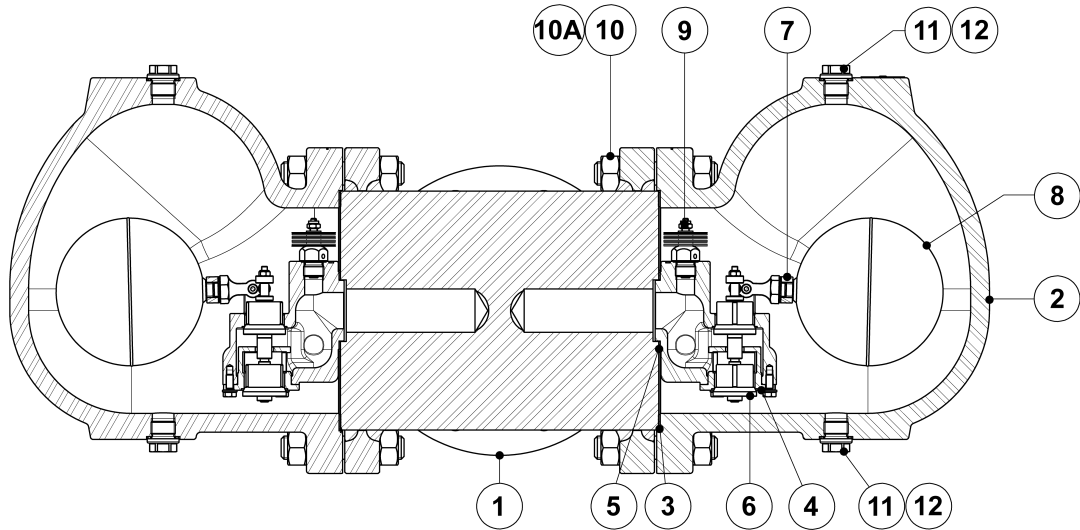
PMO – Maximum operating pressure: 14 bar;
TMO – Maximum operating temperature: 198 °C.
* Acc. to EN 1092-2:2018; ** Acc. to ASME B16.42.
Body limiting conditions PN 16 or below, depending on the type of connection adopted.

FLOW RATE CAPACITY (kg/h)										
MODEL	SIZE	DIFFERENTIAL PRESSURE (bar)								
		0,5	1	1,5	2	4,5	7	10	12	14
FLT29TW-4,5	3" to 4" – DN 80 to 100	15100	22000	28000	31000	45000	–	–	–	–
FLT29TW-10	3" to 4" – DN 80 to 100	7800	10000	12200	14200	20000	27500	32000	–	–
FLT29TW-14	3" to 4" – DN 80 to 100	3800	5400	6200	7200	10000	13800	16200	18000	19600



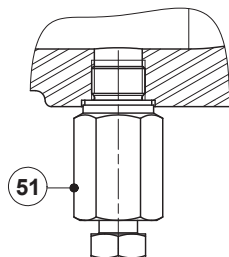
DIMENSIONS (mm)									
SIZE	PN 16							CLASS 150	
	B	C	D	E	F	G	H *	WEIGHT (kg)	WEIGHT (kg)
3" – DN 80	339	113	273	161	350	677	3/8"	86	86,6
4" – DN 100	339	113	273	161	350	677	3/8"	85,1	87,9

* As standard, in versions with EN flanges, these connections are female threaded ISO 228. In versions with ASME flanges, these connections are female threaded NPT.

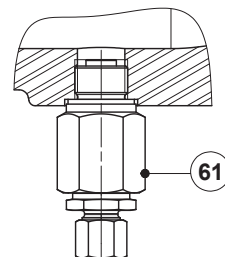


VB21M - Vacuum breaker

HVV - Hand vent valve



BDV - Blowdown valve
 (Manual)

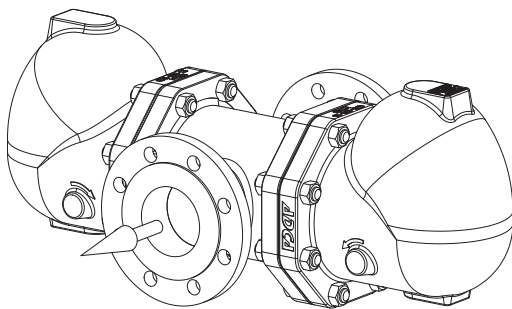


AFZ - Anti-freeze device
 (Automatic)

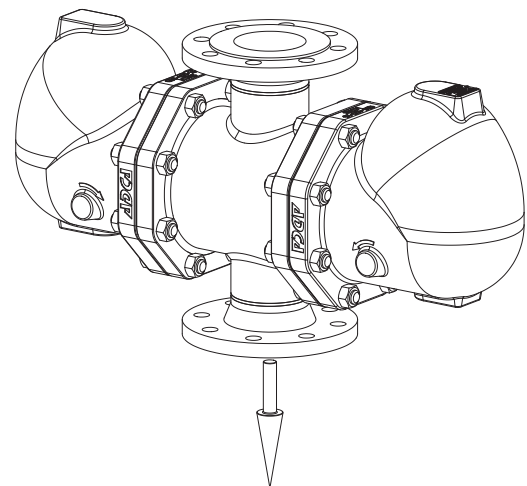
MATERIALS		
POS. N°	DESIGNATION	MATERIAL
1	Body	P250GH / 1.0460; P235GH / 1.0345; S235JR / 1.0038
2	Cover	GJS-400-15 / 0.7040
3	* Gasket	Stainless steel / Graphite
4	* Seat	A351 CF8 / 1.4308; A276-98B / 1.4057
5	* Gasket	Stainless steel / Graphite
6	* Valve	AISI 316 / 1.4401; AISI 420 / 1.4021
7	* Lever	A351 CF8M / 1.4408
8	* Float	AISI 304 / 1.4301
9	* Automatic air vent	Stainless st. (bimetallic)
10	Studs	Zinc plated steel
10A	Nuts	Zinc plated steel
11	Plug	AISI 316L / 1.4404
12	** Gasket	Copper; AISI 304 / 1.4301
41	Hand vent valve	AISI 303 / 1.4305; AISI 316L / 1.4404
51	Blowdown valve	AISI 303 / 1.4305; AISI 316L / 1.4404
61	Anti-freeze device	AISI 303 / 1.4305; AISI 316L / 1.4404
71	Vacuum breaker	AISI 303 / 1.4305
72	Adapter fitting	AISI 303 / 1.4305

* Available spare parts; ** Not applicable in NPT version.

FLOW DIRECTION



IH - Horizontal



IT - Vertical from top to bottom

ORDERING CODES FLT29TW									
Model	A29T	2	V	XX	IH	L	80	E	
FLT29TW – GJS-400-15 / 0.7040 SG iron	A29T								
Differential pressure									
4,5 bar		2							
10 bar		3							
14 bar		4							
Automatic air vent									
Bimetallic air vent (standard)			V						
None			X						
Cover connections									
None				XX					
3/8" threaded connections on top and bottom, closed with plugs (mandatory if any options are considered)				10					
Options									
HVV, BDV, AFZ and VB21M have specific separated ordering codes, please refer to the appropriate documentation.									
Flow direction									
Horizontal					IH				
Vertical from top to bottom					IT				
Pipe connections									
Flanged EN 1092-1 PN 16						L			
Flanged ASME B16.5 Class 150						U			
Size									
3" or DN 80							80		
4" or DN 100							100		
Special valves / Extras									
Full description or additional codes have to be added in case of a non-standard combination									E