

## INVERTED BUCKET STEAM TRAPS IBB12

### DESCRIPTION

The IBB12 is a series of general purpose robust and versatile inverted bucket steam traps manufactured in SG iron. These steam traps operate intermittently and are suitable for use with saturated or superheated steam. Typical applications include drip points, steam tracing lines, dryers, chemical and laundry equipment.

### MAIN FEATURES

Intermittent discharge.  
Discharges condensate at steam temperature.  
Unaffected by water hammer and vibrations.  
Easy to maintain.

USE: Saturated and superheated steam.

### AVAILABLE

MODELS: IBB12-4, 8 and 12 – SG iron.

SIZES: 3/4" to 1".

CONNECTIONS: Female threaded ISO 7 Rp or NPT.  
Threaded flanges on request.

INSTALLATION: Horizontal installation.  
See IMI – Installation and maintenance instructions.

MAX. ΔP: IBB12-4 – 4 bar  
IBB12-8 – 8 bar  
IBB12-12 – 12 bar



| BODY LIMITING CONDITIONS          |                     |
|-----------------------------------|---------------------|
| THREADED PN 16 ALLOWABLE PRESSURE | RELATED TEMPERATURE |
| 16 bar                            | 100 °C              |
| 15,5 bar                          | 150 °C              |
| 14,7 bar                          | 200 °C              |
| 13,9 bar                          | 250 °C              |

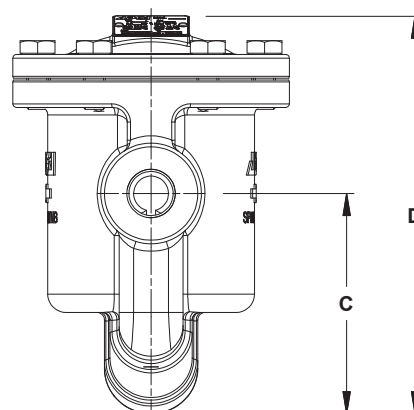
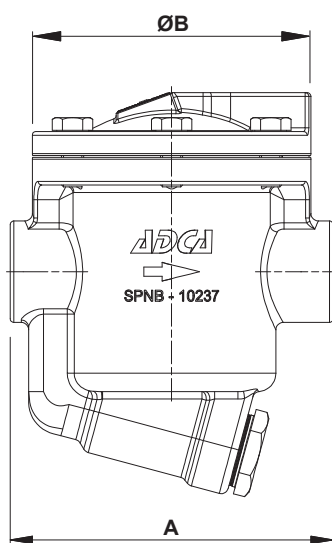
PMO – Max. operating pressure: 14 bar.  
TMO – Max. operating temperature: 198 °C.

### CE MARKING – GROUP 2 (PED – European Directive)

| PN 16      | Category |
|------------|----------|
| 3/4" to 1" | SEP      |

### FLOW RATE CAPACITY (kg/h)

| MODEL    | SIZE       | DIFFERENTIAL PRESSURE (bar) |      |      |      |      |      |      |      |      |      |      |
|----------|------------|-----------------------------|------|------|------|------|------|------|------|------|------|------|
|          |            | 1                           | 2    | 3    | 4    | 5    | 6    | 7    | 8    | 10   | 11   | 12   |
| IBB12-4  | 3/4" to 1" | 1090                        | 1340 | 1550 | 1670 | –    | –    | –    | –    | –    | –    | –    |
| IBB12-8  | 3/4" to 1" | 725                         | 910  | 1030 | 1100 | 1160 | 1210 | 1250 | 1290 | –    | –    | –    |
| IBB12-12 | 3/4" to 1" | 570                         | 720  | 810  | 860  | 920  | 950  | 985  | 1010 | 1060 | 1080 | 1100 |



**DIMENSIONS (mm)**

| SIZE | A   | B   | C   | D   | WEIGHT (kg) |
|------|-----|-----|-----|-----|-------------|
| 3/4" | 175 | 150 | 127 | 219 | 7           |
| 1"   | 175 | 150 | 127 | 219 | 6,9         |

**MATERIALS**

| POS. N° | DESIGNATION       | MATERIAL                   |
|---------|-------------------|----------------------------|
| 1       | Body              | GJS-400-15 / 0.7040        |
| 2       | Cover             | GJS-400-15 / 0.7040        |
| 3       | * Gasket          | Stainless steel / Graphite |
| 4       | * Seat            | AISI 410 / 1.4006          |
| 5       | * Valve           | AISI 410 / 1.4006          |
| 6       | * Lever           | AISI 304 / 1.4301          |
| 7       | * Bucket          | AISI 304 / 1.4301          |
| 8       | * Strainer screen | AISI 304 / 1.4301          |
| 9       | Gasket            | Stainless steel / Graphite |
| 10      | Plug              | A105 / 1.0432              |
| 11      | Bolts             | Steel 8.8                  |

\* Available spare parts.

