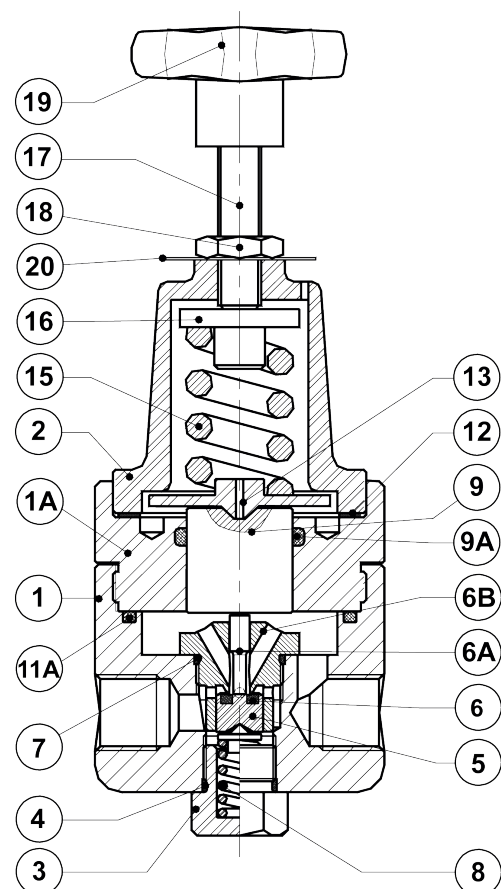


DIMENSIONS (mm)													
THREADED				PN 40			PN 63/100			PN 250/320			
SIZE	A	B	C	WEIGHT (kg)	D *	E	WEIGHT (kg)	D *	E	WEIGHT (kg)	D *	E	WEIGHT (kg)
1/4"	80	35	200	2,7	–	–	–	–	–	–	–	–	–
3/8"	80	35	200	2,7	–	–	–	–	–	–	–	–	–
1/2" – DN 15	80	35	200	2,7	150	47,5	4,1	210	52,5	5	230	65	7,3

* Different lenghts on request.

Remark: DN 15 PN 40 face to face dimmensions adopted as per DN 20.

MATERIALS		
POS. N°	DESIGNATION	MATERIAL
1	Valve body	AISI 316 / 1.4401
1A	Piston sleeve	AISI 316 / 1.4401
2	Top cover	AISI 316 / 1.4401
		A351 CF8M / 1.4408
3	Seat cover	AISI 316 / 1.4401
4	* O-ring	NBR
5	* Piston valve	AISI 316 / 1.4401
6	* Valve head	NBR ; EPDM ; PTFE; etc.
6A	Pushrod	AISI 304 / 1.4301
6B	* Valve seat	Hardened stainless steel
7	* O-ring	NBR; EPDM; PTFE; etc.
8	* Valve spring	AISI 302 / 1.4300
9	Piston	AISI 316 / 1.4401
9A	* O-ring	NBR; EPDM; Viton; etc.
11A	* O-ring	NBR; EPDM; PTFE; etc.
12	Gasket	Aluminium
13	Spring plate	AISI 304 / 1.4301
15	* Adjustment spring	Spring steel
16	Top spring plate	Brass
17	Adjustment screw	AISI 304 / 1.4301
18	Locknut	Stainless steel A2-70
19	Handwheel	Plastic
20	Spring id. plate	Aluminium



* Available spare parts.

Remarks: All valves have a serial number. In case of non-standard valves this number must be supplied if spare parts are ordered.

ORDERING CODES PRV41												
Valve model	R41	.	5	W	N	E	4	R	.	A	08	
PRV41SS – Piston sensing pressure reducing valve	R41											
Regulating range												
N°5 – 3 to 30 bar			5									
N°6 – 5 to 50 bar			6									
N°7 – 20 to 200 bar			7									
Application												
Water				W								
Gases				G								
Oxygen (degreased)				O								
Seal material												
NBR					N							
EPDM					E							
PTFE a)					T							
FPM / Viton					V							
Maximum inlet pressure												
80 bar						E						
220 bar						F						
Gauge port 1/4"												
Without gauge ports										(1)		
Gauge port on the left side (relative to the flow direction)										4		
Gauge port on the right side (relative to the flow direction)										3		
Gauge ports on both sides										2		
Relieving												
Non-relieving										(1)		
Relieving (only for non dangerous gases)										R		
Pipe connection												
Female threaded ISO 7 Rp											A	
Female threaded NPT ASME B1.20.1											C	
Socket weld (SW) ASME B16.11											H	
Butt weld (BW) ASME B16.25											I	
Flanged EN 1092-1 PN 40											N	
Flanged EN 1092-1 PN 63											O	
Flanged EN 1092-1 PN 100											P	
Flanged EN 1092-1 PN 160											Q	
Flanged EN 1092-1 PN 250											R	
Flanged EN 1092-1 PN 320											S	
Flanged ASME B16.5 Class 150											U	
Flanged ASME B16.5 Class 300											V	
Flanged ASME B16.5 Class 600											W	
Size												
1/4"												08
3/8"												10
1/2" or DN 15												15
Special valves / Extras												
Full description or additional codes have to be added in case of non-standard combination.												E

(1) Omitted if a standard valve is requested.
a) Valve seal only, other seals in Viton.