

DIAPHRAGM SENSING PRESSURE SUSTAINING VALVE PS7

DESCRIPTION

The ADCA PS7 series direct acting, spring-loaded diaphragm sensing pressure sustaining valves are designed for use on steam and compressed air and other gases compatible with the materials of construction.

They are suitable for pressure sustaining applications where very small loads are involved. They are also specifically recommended to operate as pilot valves in combination with other pressure regulators.

MAIN FEATURES

Compact design.
 Stainless steel diaphragm.

OPTIONS: 1/8" gauge connection on body.
 Top cap (adjustment screw with cover).
 External sensing connection.
 Low pressure top.
 Dome loaded version.

USE: Steam, compressed air and other gases compatible with the construction.

AVAILABLE

MODELS: PS7S – carbon steel.
 PS7SS – stainless steel.

SIZES: 1/4" and 3/8".

CONNECTIONS: Female threaded ISO 7 Rp or NPT.

INSTALLATION: Horizontal installation.
 A "Y" strainer should be installed upstream of the valve.
 See IMI – Installation and maintenance instructions.



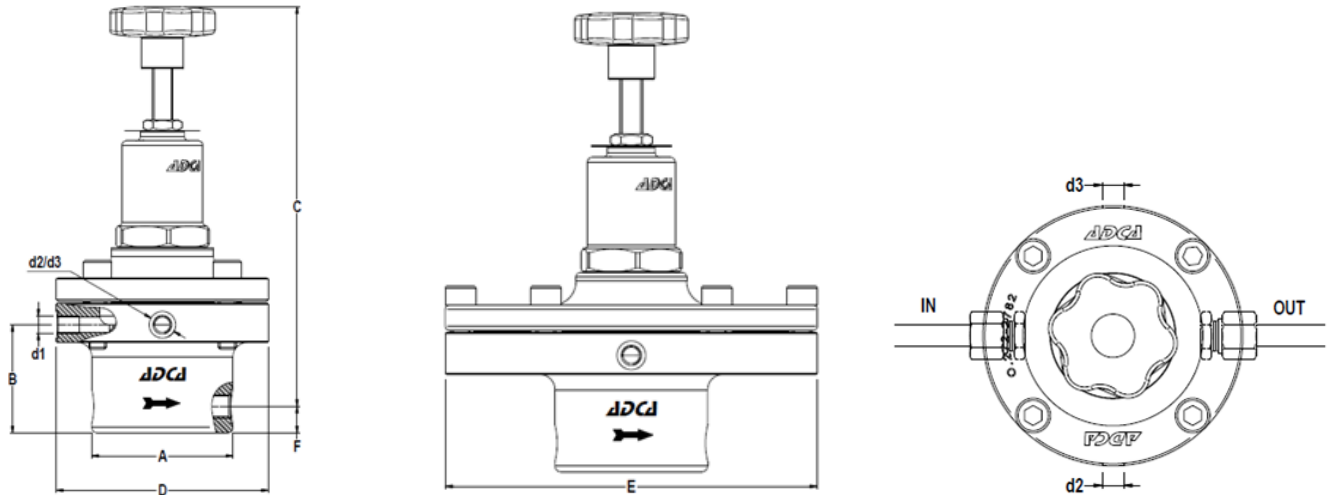
CE MARKING – GROUP 2 (PED – European Directive)	
PN 40	Category
1/4" to 3/8"	SEP

FLOW RATE COEFFICIENTS (m ³ /h)		
SIZE	1/4"	3/8"
Kvs	0,8	0,8

LIMITING CONDITIONS	
Valve model	PS7
Body design conditions	PN 40
Maximum upstream pressure	17 bar
Minimum upstream pressure	0,35 bar
Maximum downstream pressure	17 bar
Maximum design temperature	300 °C

* 0,07 bar with low pressure top (limited at 7 bar inlet).
 The low pressure diaphragm should be fitted for outlet pressures from 0,07 up to 0,5 bar.
 Pressure and temperature limiting conditions may change if soft seating is used.

Warning: A pressure sustaining valve is not a safety relief valve and must not be used for that purpose!



DIMENSIONS (mm)

SIZE	A	B	C	D	E *	F	d1 **	d2 ***	d3 ***	WEIGHT (kg)
1/4"	80	61	225	120	195	15	1/8	1/8	1/8	4,8
3/8"	80	61	225	120	195	15	1/8	1/8	1/8	4,8

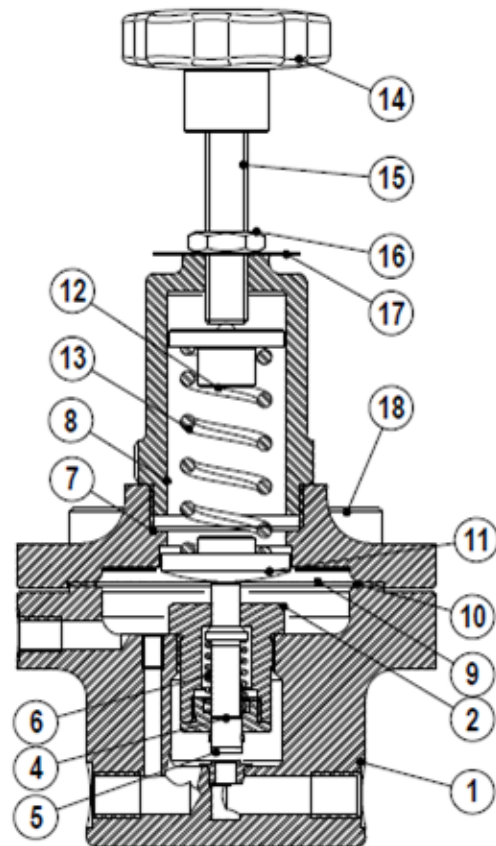
* Low pressure diaphragm; ** Optional sensing line connection; *** Optional pressure gauge connections. As standard, in ISO 7 Rp threaded version, these connections are female threaded ISO 7 Rp. In NPT threaded version, these connections are female threaded NPT.

MATERIALS

POS. N°	DESIGNATION	MATERIAL
1	Valve body	S355JR / 1.0045; AISI 316 / 1.4401
2	* Pilot valve body	A351 CF8 / 1.4308
4	Pushrod	AISI 316 / 1.4401
5	* Valve plug	AISI 420; EPDM; PTFE, etc.
6	* Spring	AISI 302 / 1.4300
7	Top cover	A351 CF8 / 1.4308
8	Spring cover	A351 CF8 / 1.4308
9	* Diaphragm	AISI 301 / 1.4310
10	* Gasket	Stainless steel / Graphite
11	Lower spring carrier	Brass
12	Top spring carrier	Brass
13	* Adjustment spring	Spring steel
14	Handwheel	Plastic
15	Adjustment screw	AISI 304 / 1.4301
16	Locknut	Stainless steel A2-70
17	Spring Id. plate	Aluminium
18	Bolts	Steel 10.9; Stainless steel A2-70

* Available spare parts.

Remarks: All valves have a serial number. In case of non-standard valves this number must be supplied if spare parts are ordered.



REGULATING RANGES

SPRING COLOUR	GREEN w/ 1 diaphragm	BLUE w/ 1 diaphragm	RED w/ 2 diaphragms	BLACK w/ 2 diaphragms
Regulating range	0,07 to 0,5 bar * 0,35 to 2 bar	1,5 to 5,5 bar	3,5 to 8,5 bar	7 to 17 bar

* With special low pressure top assembly.

ORDERING CODES PS7										
Valve model	PS7S	.	1	S		S		.A	08	
PS7S – carbon steel pilot pressure sustaining valve	PS7S									
PS7SS – stainless steel pilot pressure sustaining valve	PS7SS									
Regulating range										
Green spring – 0,35 to 2 bar – single diaphragm			1							
Blue spring – 1,5 to 5,5 bar – single diaphragm			2							
Red spring – 3,5 to 8,5 bar – double diaphragm			3							
Black spring – 7 to 17 bar – double diaphragm			4							
Application										
Steam				S						
Gases				G						
Seal material a)										
Metal to metal						(1)				
EPDM						E				
PTFE						T				
FPM / Viton						V				
Diaphragm										
Standard diaphragm							S			
Low pressure diaphragm							L			
Gauge port 1/8" b)										
Without gauge ports								(1)		
Gauge port on the left side (relative to the flow direction)								4		
Gauge port on the right side (relative to the flow direction)								3		
Gauge ports on both sides								2		
Pipe connection										
Female threaded ISO 7 Rp								A		
Female threaded NPT ASME B1.20.1								C		
Size										
1/4"									08	
3/8"									10	
Special valves / Extras										
Full description or additional codes have to be added in case of non-standard combination.										E

(1) Omitted if a standard valve is requested.

a) Valve limited to the materials maximum operating temperature. Contact manufacturer for more details.

b) Gauge port can also be used as external sensing line.