

THERMOSTATIC STEAM TRAPS AND AIR VENTS TSW22

DESCRIPTION

The TSW22 all stainless steel thermostatic steam traps and air vents are specifically designed for use on process equipment such as kettle cookers, sterilizers, food, chemical and laundry equipment. Their small size makes them ideal for use with a wide variety of this equipment.

MAIN FEATURES

- Modulating discharge.
- Discharges condensate close to steam temperature.
- Thermostats for different sub cooling (5 °C to 30 °C).
- Excellent air discharge.
- Operates on moderate superheated steam.
- Simple and compact design.
- Can operate in any plane.

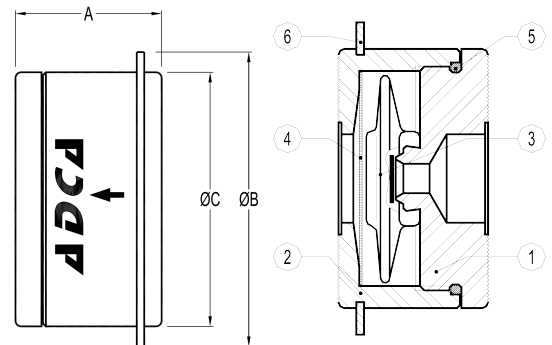
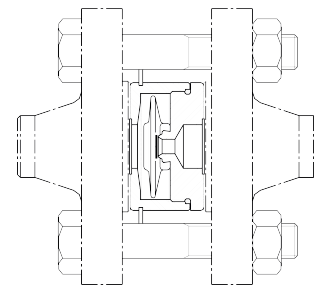
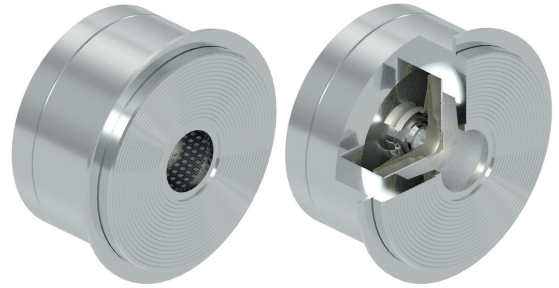
USE: Saturated steam.

AVAILABLE MODELS: TSW22 – stainless steel wafer design.

SIZES: DN 15 to DN 25.

CONNECTIONS: Sandwiched between flanges as per EN 1092-1 PN 40.

INSTALLATION: In any position.
See IMI – Installation and maintenance instructions.



BODY LIMITING CONDITIONS	
WAFER PN 40	RELATED TEMPERATURE
ALLOWABLE PRESSURE	
34,4 bar	100 °C
30,8 bar	150 °C
28 bar	200 °C
26 bar	250 °C

PMO – Max. operating pressure 22 bar;
TMO – Max. operating temperature 250 °C.

DIMENSIONS (mm)				
SIZE	A	B	C	WGT. (kg)
DN 10	25	51	43	0,25
DN 20	31,5	61	53	0,45
DN 25	35,5	71	64	0,75

* DN 20 is suitable for installation between flanges DN 15, removing the centering ring.

MATERIALS		
POS. N°	DESIGNATION	MATERIAL
1	Body	AISI 304 / 1.4301
2	Cover	AISI 304 / 1.4301
3	* Thermostatic element	Stainless steel
4	* Strainer screen	AISI 304 / 1.4301
5	* Gasket	St. steel / Graphite
6	Centering ring	AISI 304 / 1.4301

* Available spare parts.

FLOW RATE CAPACITY (kg/h)																
MODEL	SIZE	DIFFERENTIAL PRESSURE (bar)														
		0,2	0,3	0,5	1	1,5	2	3	4	6	8	10	13	15	20	22
TSW22	DN 15 to 25	70	120	140	255	330	385	455	510	600	670	700	720	750	775	795

Capacities shown refer to condensate at 10 °C below saturated steam temperature (standard type S thermostat).

Thermostats for 5 °C (type H) and 30 °C (type L) also available. Capacities for cold condensate discharge at 20 °C are two to three times greater.