

INTERMITTENT BLOWDOWN VALVES VPA26/2

DESCRIPTION

The VPA26/2 blowdown valve series were specially designed for application on steam boilers, to remove sludge sediments which naturally settle on the bottom of the boiler. These intermittent valves operate manually or automatically with timed control.

This valve is available with a diaphragm actuator and/or manual operation lever.

MAIN FEATURES

High quality hardened valve seat and plug.

Manual or automatic intermittent timed control.

Lockable in open position if supplied with manual operation lever.

Practical foot operated lever.

Maintenance free stem sealing.

Tool-free quick exchangeable clamped-in seats, allowing fast and easy in-site maintenance procedures.

OPTIONS AND

ACCESSORIES:

- Air filter regulator.
- Solenoid valve with timer control unit.
- Mechanical limit switches.
- Inductive limit switch box.
- Water actuated version.

USE: Intermittent blowdown of steam boilers.

AVAILABLE

MODELS: VPA26/2S – carbon steel.
VPA26/2I – stainless steel.

SIZES: 3/4" to 2" – DN 20 to DN 50.

CONNECTIONS: Flanged EN 1092-1 PN 40.
Flanged ASME B16.5 Class 300.



CE MARKING – GROUP 2 (PED – European Directive)

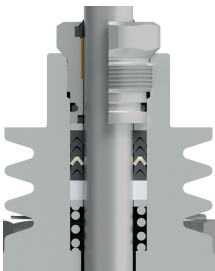
PN 40	Category
3/4" to 1" – DN 20 to 32	SEP
1 1/2" to 2" – DN 40 to 50	1 (CE Marked)

BODY LIMITING CONDITIONS					
VPA26/2S				VPA26/2I	
FLANGED PN 40 *		FLANGED CLASS 300 **		FLANGED PN 40 *	
ALLOWABLE PRESSURE	RELATED TEMPERATURE	ALLOWABLE PRESSURE	RELATED TEMPERATURE	ALLOWABLE PRESSURE	RELATED TEMPERATURE
40 bar	-10 °C/50 °C	50 bar	-10/50 °C	40 bar	-10 °C/50 °C
33,3 bar	200 °C	43,9 bar	200 °C	33,7 bar	200 °C
30,4 bar	250 °C	36,9 bar	350 °C	31,8 bar	250 °C
27,6 bar	300 °C	34,6 bar	400 °C	29,7 bar	300 °C
23,8 bar	400 °C	–	–	27,4 bar	400 °C

* Rating according to EN 1092-1:2018; ** Rating according to EN 1759-1:2004.

STEM SEALING

PTFE/GR V-RINGS (V1.2)



-10 °C to 250 °C

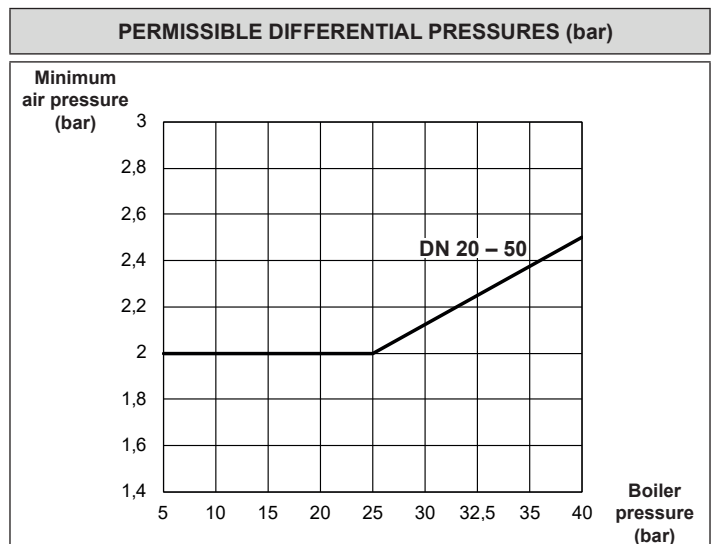
FLOW RATE COEFFICIENTS (m³/h)

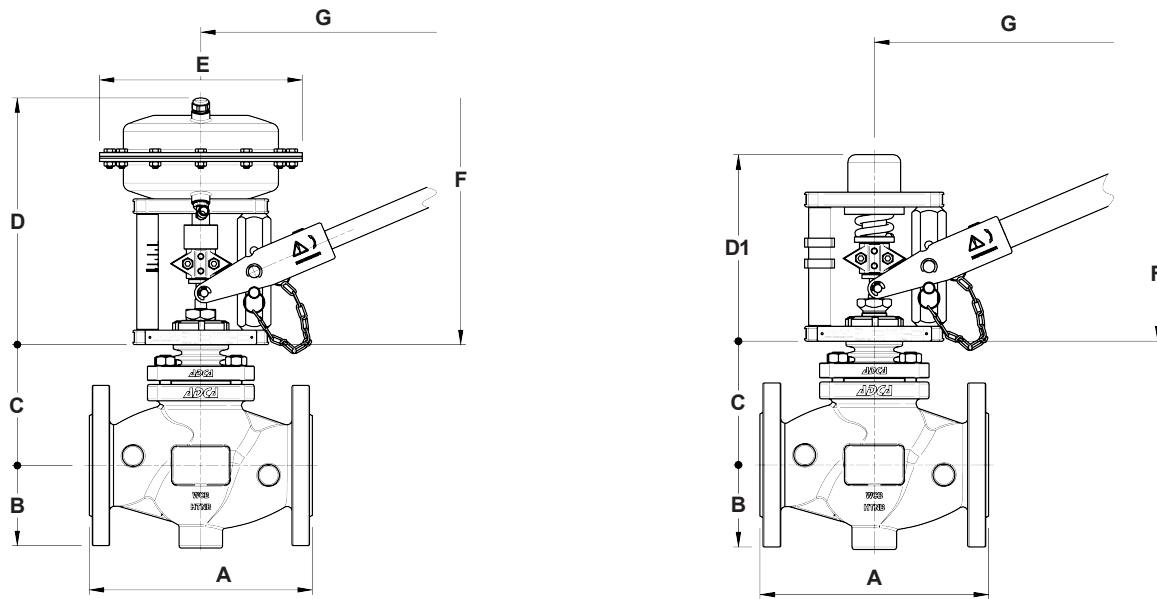
	SIZES				
	3/4" – DN 20	1" – DN 25	DN 32	1 1/2" – DN 40	2" – DN 50
Kvs	6,3	6,3	6,3	16	16

For conversion $Kvs = Cv (US) \times 0,855$.

ACTUATOR DATA

DIAPHRAGM AREA (cm²)	140
SPRING RANGE (bar)	0,7 to 1,2
STROKE (mm)	12
DEAD VOLUME (L)	0,3
TRAVEL VOLUME (L)	0,16
AMBIENT TEMPERATURE	-20 °C to 70 °C





DIMENSIONS (mm)						
DIMENSION		SIZE				
		3/4" – DN 20	1" – DN 25	DN 32	1 1/2" – DN 40	2" – DN 50
A	EN	150	160	180	200	230
	ASME	194 a)	197	–	235	267
B		53	58	70	75	83
C		104,5	109,5	109,5	113	124,5
D		252				
D1		188				
E		210				
HAND LEVER	F	216			297	
	G	415			655	
FOOT LEVER	F	211				
	G	417				

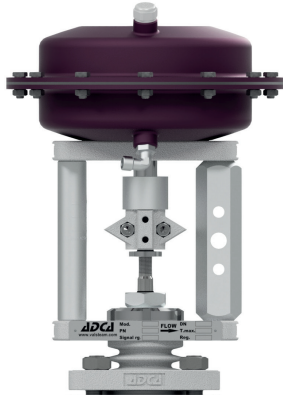
a) With welded-on flanges.

WEIGHTS (kg)						
		SIZE				
		3/4" – DN 20	1" – DN 25	DN 32	1 1/2" – DN 40	2" – DN 50
EN a)		15,1	15,9	19,1	24,1	27,8
EN b)		11,5	12,4	15,5	20,5	24,3
ASME a)		15,2	16,4	–	25,4	29
ASME b)		11,6	12,9	–	21,8	25,5

a) Valve with pneumatic actuator only; b) Valve with hand lever only.

VPA26/2 VERSIONS AND ACCESSORIES

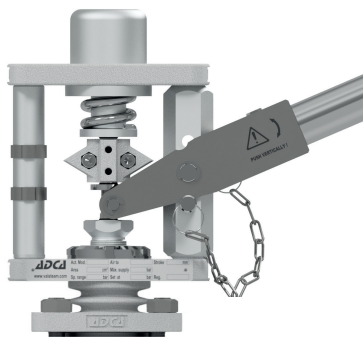
VALVE WITH
 PNEUMATIC ACTUATOR ONLY



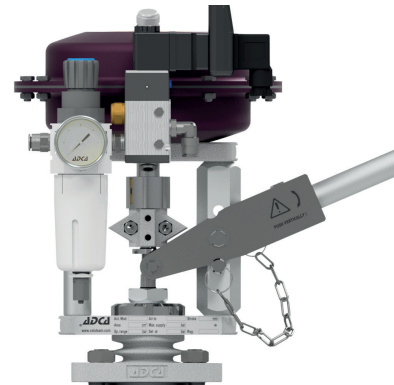
VALVE WITH PNEUMATIC ACTUATOR
 AND MANUAL OPERATION LEVER



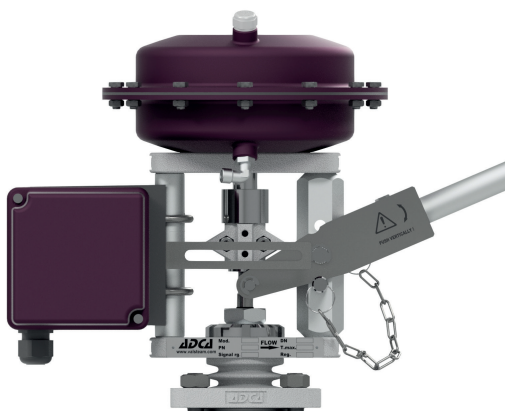
VALVE WITH
 MANUAL OPERATION ONLY



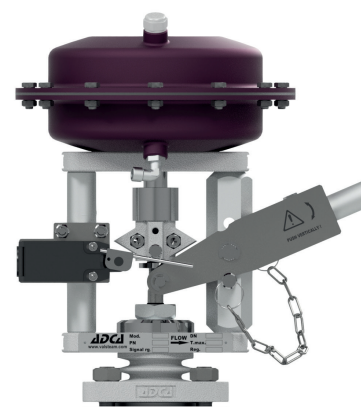
SOLENOID VALVE AND
 AIR FILTER REGULATOR



INDUCTIVE LIMIT SWITCH BOX

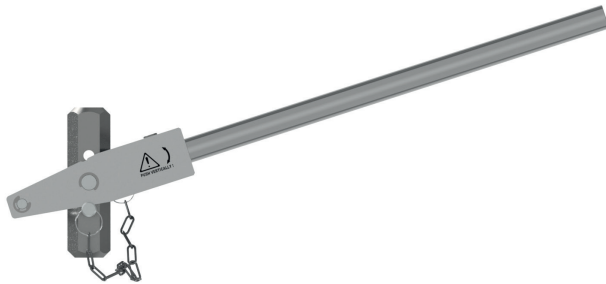


MECHANICAL LIMIT SWITCHES



MANUAL OPERATION OPTIONS

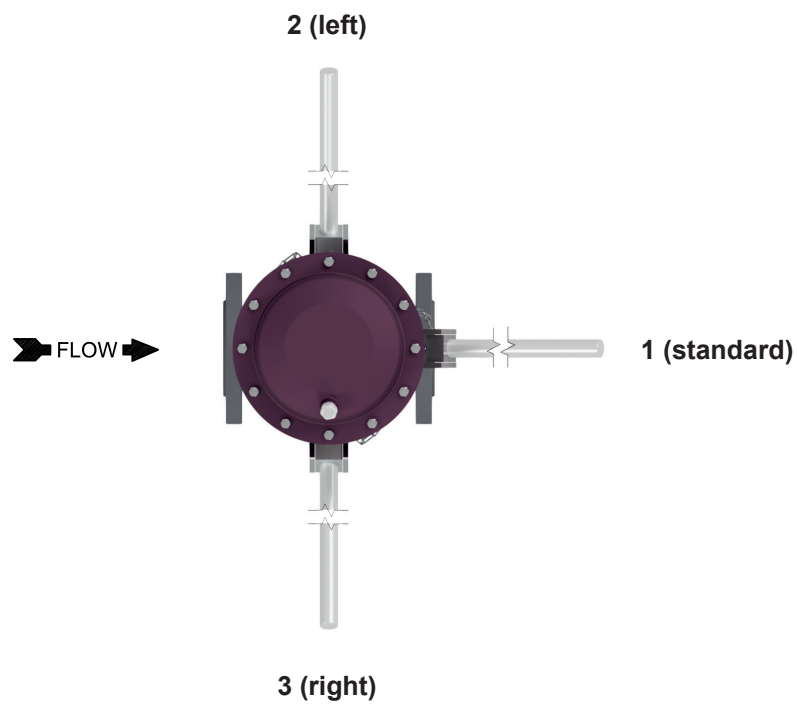
HAND LEVER



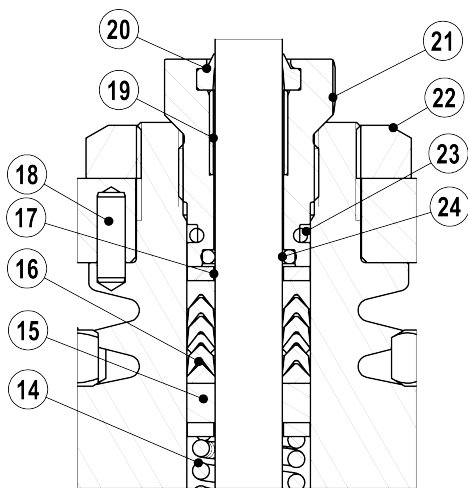
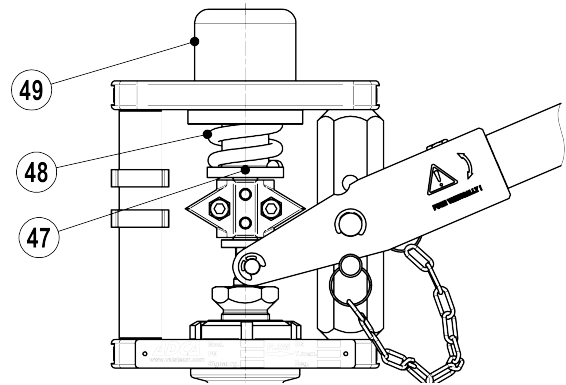
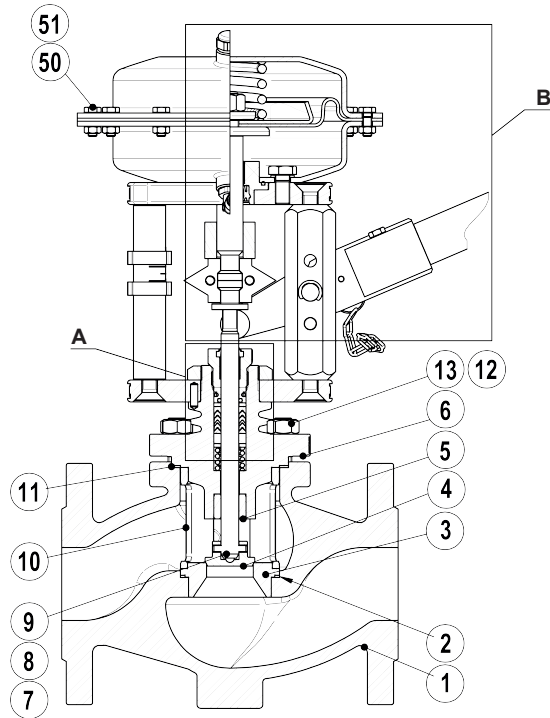
FOOT LEVER



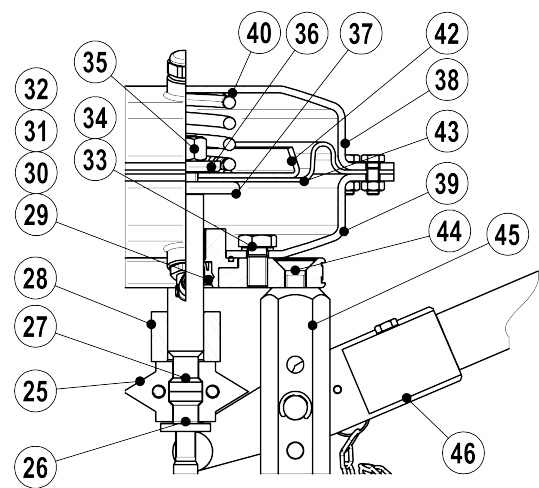
LEVER ORIENTATION ALTERNATIVES



The manual operation lever can be supplied with different orientations to better suit the valve's installation position. Orientations not shown in the image above are available under request.



Detail A



Detail B

MATERIALS		
POS. N°	DESIGNATION	MATERIAL
1	Valve body (VPA26/2S)	A216 WCB / 1.0619
	Valve body (VPA26/2I)	A351 CF8M / 1.4408
2	* Seat gasket	Stainless steel / Graphite
3	* Seat	AISI 420 / 1.4034
4	* Valve plug	AISI 440B / 1.4112
5	Stem guide bushing	Bronze
6	Bonnet	A351 CF8M / 1.4408
7	Ball	AISI 440C / 1.4125
8	* Spring pin	AISI 301 / 1.4310
9	Stem	AISI 316L / 1.4404
10	Seat retainer	A351 CF8M / 1.4408
11	* Gasket	Stainless steel / Graphite

MATERIALS

POS. N°	DESIGNATION	MATERIAL
12	Studs (VPA26/2S)	34CrNiMo6 / 1.6582
	Studs (VPA26/2I)	Stainless steel A2-70
13	Nuts (VPA26/2S)	Steel 8.8
	Nuts (VPA26/2I)	Stainless steel A2-70
14	* Spring	AISI 302 / 1.4310
15	* Wiper ring	Stainless steel / PTFE
16	* Chevron packing set	PTFE; Graphite filled PTFE
17	Washer	AISI 304 / 1.4301
18	Cylindrical pin	AISI 303 / 1.4305
19	* Plain bearing	Bronze / PTFE
20	* Scraper ring	Viton
21	* Gland nut	AISI 303 / 1.4305
22	Lock nut	A351 CF8 / 1.4308
23	* O-ring	EPDM
24	* O-ring	Viton
25	Coupling / Travel indicator	A351 CF8 / 1.4308
26	Adapter	AISI 304 / 1.4301
27	Stem	AISI 316 / 1.4401
28	Stroke limiter	AISI 304 / 1.4301
29	* Seal ring	Polyurethane
30	* Stem guide	AISI 304 / 1.4301
31	* Plain bearing	Steel / PTFE
32	* O-ring	NBR
33	Bolts	Steel 8.8
34	Washer	Steel 8.8
35	Nut	Steel 8.8
36	Upper diaphragm disc	C45E / 1.1191
37	Lower diaphragm disc	C45E / 1.1191
38	Upper actuator cover (steel)	DD12 / 1.0398
	Upper actuator cover (stainless steel)	AISI 304 / 1.4301
39	Lower actuator cover (steel)	DD12 / 1.0398
	Lower actuator cover (stainless steel)	AISI 304 / 1.4301
40	Springs	Spring steel
42	Diaphragm plate	DD12 / 1.0398
43	* Diaphragm	NBR 70
44	Bolts (steel)	Steel 8.8
	Bolts (stainless steel)	Stainless steel A2-70
45	Yoke (steel)	C45E / 1.1191
	Yoke (stainless steel)	AISI 303 / 1.4305
46	Lever assembly set	AISI 316 / 1.4401
47	Lower spring guide	C45E / 1.1191
48	Spring	Spring steel
49	Upper spring carrier	C45E / 1.1191
50	Bolts (steel)	Steel 8.8
	Bolts (stainless steel)	Stainless steel A2-70
51	Nuts (steel)	Steel 8.8
	Nuts (stainless steel)	Stainless steel A2-70

* Available spare parts.

ORDERING CODES VPA26/2											
Valve model	VP26	2	S	AX	0	SX	1	FE	N	20	
Intermittent bottom blowdown valve, two way, straight body	VP26										
Valve series											
Series 2		2									
Body material											
A216 WCB / 1.0619 carbon steel			S								
A351 CF8M / 1.4408 stainless steel			I								
Versions											
Valve with actuator only				AX							
Valve with actuator and hand lever				AH							
Valve with actuator and foot lever				AF							
Valve with hand lever only				XH							
Valve with foot lever only				XF							
Lever orientation											
Without lever					0						
Standard position					1						
Lever rotated 90° to the left (relative to the flow direction)					2						
Lever rotated 90° to the right (relative to the flow direction)					3						
Actuator											
Steel construction						SX					
Stainless steel construction						IX					
Steel construction – water actuated						SW					
Stainless steel construction – water actuated						IW					
Without actuator						XX					
Stem sealing											
PTFE/GR V-rings (V1.2)							1				
Flow rate coefficient											
Kvs 6,3 (available only for 3/4" to 1" and DN 20 to DN 32)								FE			
Kvs 16 (available only for 1 1/2" to 2" and DN 40 to DN 50)								FG			
Pipe connection											
Flanged EN 1092-1 PN 40									N		
Flanged ASME B16.5 Class 300 a)									V		
Size											
3/4" or DN 20											20
1" or DN 25											25
DN 32											32
1 1/2" or DN 40											40
2" or DN 50											50
Special valves / Extras											
Full description or additional codes have to be added in case of a non-standard combination											E

a) Not available for A351 CF8M / 1.4408 stainless steel version.