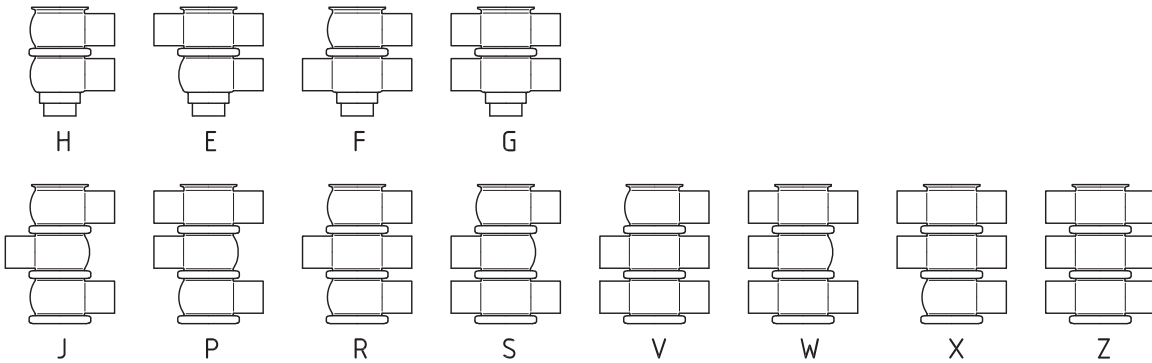
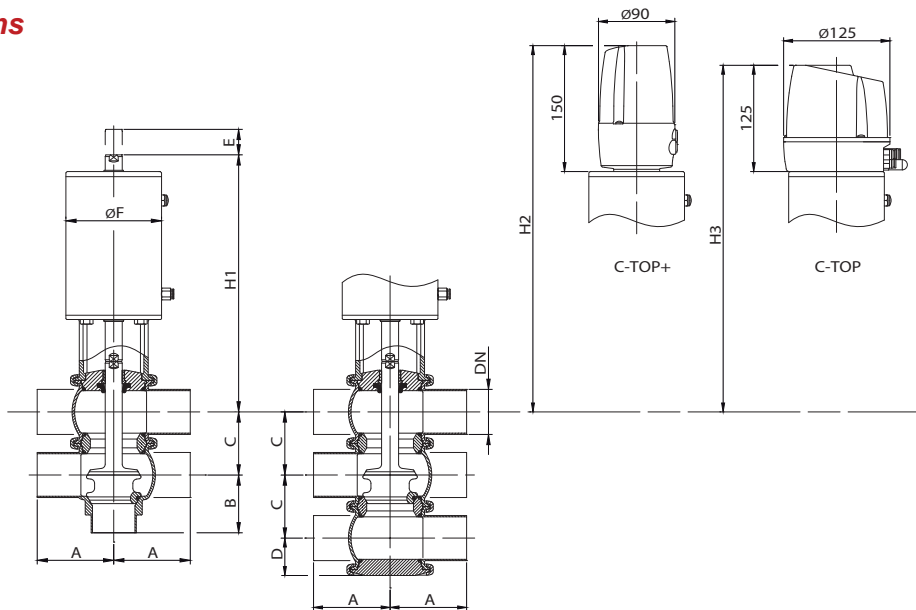




I Housing combinations



I Dimensions



	DN	Pipe Ø	A	B	C	D	E	Ø F	H <sub>1</sub>	H <sub>2</sub>	H <sub>3</sub>	kg
DIN	25	29 x 1,5	50	50	50	32	18	87	230	367	342	5,2
	40	41 x 1,5	85	60	62	38	20	87	240	377	352	6,6
	50	53 x 1,5	90	68	74	44	26	112	302	433	408	11
	65	70 x 2,0	110	81	92	53	29	143	348	485	460	19
	80	85 x 2,0	125	90	107	60	27	143	355	492	467	22
	100	104 x 2,0	150	125	127	70	29	216	382	516	491	39
OD	1"	25,4 x 1,65	50	50	46	30	14	87	236	369	344	5,2
	1½"	38,1 x 1,65	85	60	59	36	17	87	245	379	354	6,6
	2"	50,8 x 1,65	90	68	72	43	23	112	306	434	409	11
	2½"	63,5 x 1,65	110	81	86	50	23	143	356	488	463	19
	3"	76,2 x 1,65	125	90	99	56	19	143	367	496	471	22
	4"	101,6 x 2,11	150	125	124	69	26	216	386	517	492	39

\*The weights correspond to the "H" housing combination.

Maximum pressure in bar / PSI without leakage at the valve seat.

Actuator/valve body combination and direction of pressure	Air pressure	Plug position	OD 1" DN 25	OD 1½" DN 40	OD 2" DN 50	OD 2½" DN 65	OD 3" DN 80	OD 4" DN 100
	[bar] / [PSI]		[bar] / [PSI]					
	-	NC	10 / 145	5,7 / 82	5,1 / 74	5,1 / 74	4,4 / 64	4,7 / 68
	6 / 87	NC	10 / 145	7,4 / 107	4,5 / 65	5,6 / 81	4,7 / 68	10 / 145
	-	NO	10 / 145	6 / 87	6,1 / 89	6,3 / 91	5,3 / 77	5,6 / 81
	6 / 87	NO	10 / 145	8,2 / 119	5,6 / 81	5,9 / 85	5,2 / 76	10 / 145
	6 / 87	A/A	10 / 145	10 / 145	10 / 145	10 / 145	10 / 145	10 / 145
	6 / 87	A/A	10 / 145	10 / 145	10 / 145	10 / 145	10 / 145	10 / 145

Maximum pressure in bar / PSI against which the valve can open.

Actuator/valve body combination and direction of pressure	Air pressure	Plug position	OD 1" DN 25	OD 1½" DN 40	OD 2" DN 50	OD 2½" DN 65	OD 3" DN 80	OD 4" DN 100
	[bar] / [PSI]		[bar] / [PSI]					
	-	NC	10 / 145	7,9 / 115	10 / 145	9 / 131	7,6 / 110	7,7 / 111
	6 / 87	NC	10 / 145	10 / 145	10 / 145	8,6 / 125	7,7 / 111	10 / 145
	-	NO	10 / 145	7,1 / 102	10 / 145	8,3 / 121	7,1 / 102	5,4 / 78
	6 / 87	NO	10 / 145	9,1 / 132	9,7 / 141	8,4 / 121	7 / 102	10 / 145

A = Air  
P = Product pressure

NC = Normally closed  
NO = Normally open  
A/A = Double acting

Note: Values valid for standard actuators.

For other pressures, bigger actuators can be assembled.