

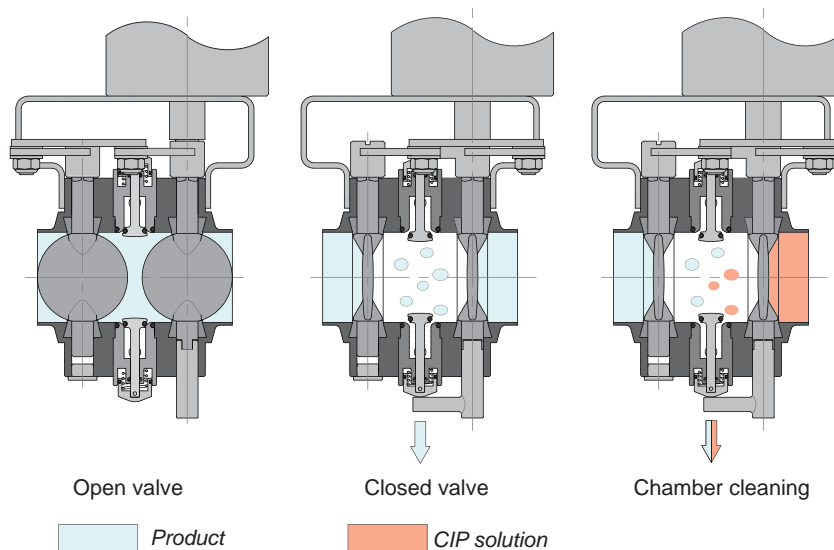


**I Application**

Double butterfly valves can be used in most liquid product applications in the food-processing, pharmaceutical and chemical industries. The LBV (Leakage Butterfly Valve) valve offers an easy and safe separation of products and prevents accidental mixing in case of gasket failure. The most usual applications are the ones that require safe separation of the product and CIP solutions in a single point (not in manifolds), or at the end of a manifold (e.g. CIP return) or entry of a CIP solution into a tank (through a spray ball).

**I Operating principle**

The LBV valve provides double safety: the two butterflies are simultaneously actuated by only one actuator.



When the two valves are closed, there is a chamber between them. The chamber is under atmospheric pressure as it opens to the exterior, thus, in case of failure of any of the two gaskets, leakage of the liquid product will indicate any possible mixing of products.

The state of the gaskets is supervised by means of either of the leakage detectors.

The other detector (superior) controls the entry of the cleaning solution to prevent any kind of contamination in the chamber.

These 2 leakage detectors provide optimal protection and enable cleaning of the intermediate chamber.

**I Design and features**

Compact and robust design.

Low pressure losses.

Interchangeable half-bodies (any connection type).

Connections: weld DIN 11850

CLAMP DIN 32676

threaded DIN 11851

weld OD ASME BPE

CLAMP OD ASME BPE



## I Materials

Parts in contact with the products	AISI 316L
Other St. St. parts	AISI 304
Gasket	EPDM according to FDA 177.2600
Internal surface finish	Ra ≤ 0,8 µm
External surface finish	Machined

## I Options

Gaskets: NBR, VMQ or FPM.  
 Connections: SMS, RJT, FIL-IDF, etc.  
 Double-acting pneumatic actuator.  
 Inductive position sensors.  
 C-TOP control head (inductive position sensors or microswitches).



Double butterfly valve with actuator and C-TOP



Double butterfly valve with actuator

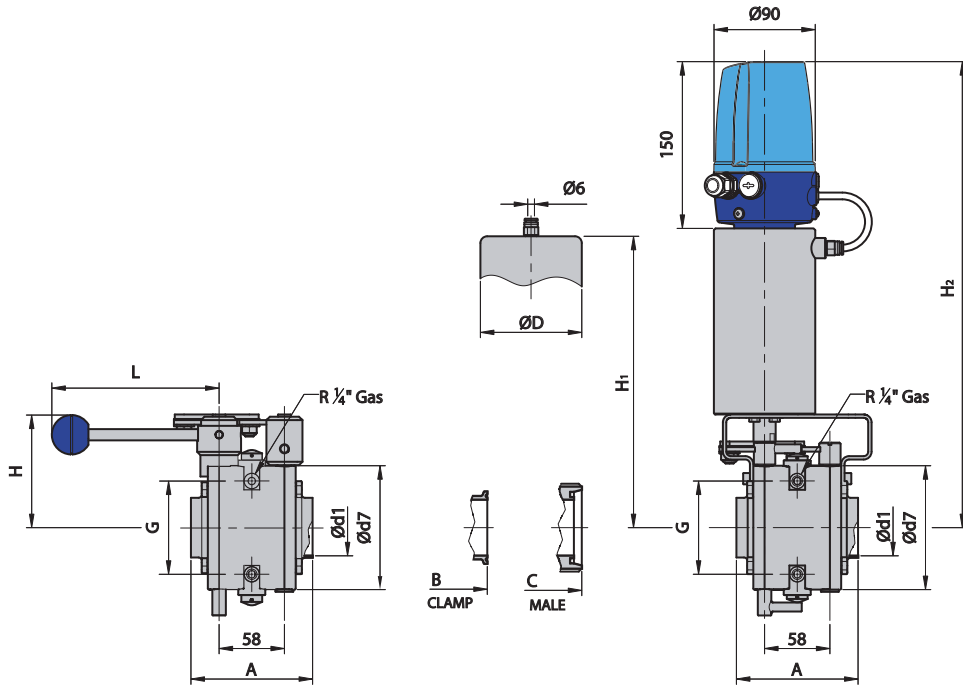


Manual double butterfly valve

## I Technical specifications

Available sizes	DN 25 - DN 100	DN 1" - DN 4"
Max. working temperature	-10 °C to +120 °C (EPDM)	14 °F to 248 °F
	+140 °C (SIP, max. 30 min)	284 °F
Min. working pressure	0,2 bar (abs. P)	3 PSI (abs. P)
Max. working pressure	10 bar	145 PSI

LBV valve



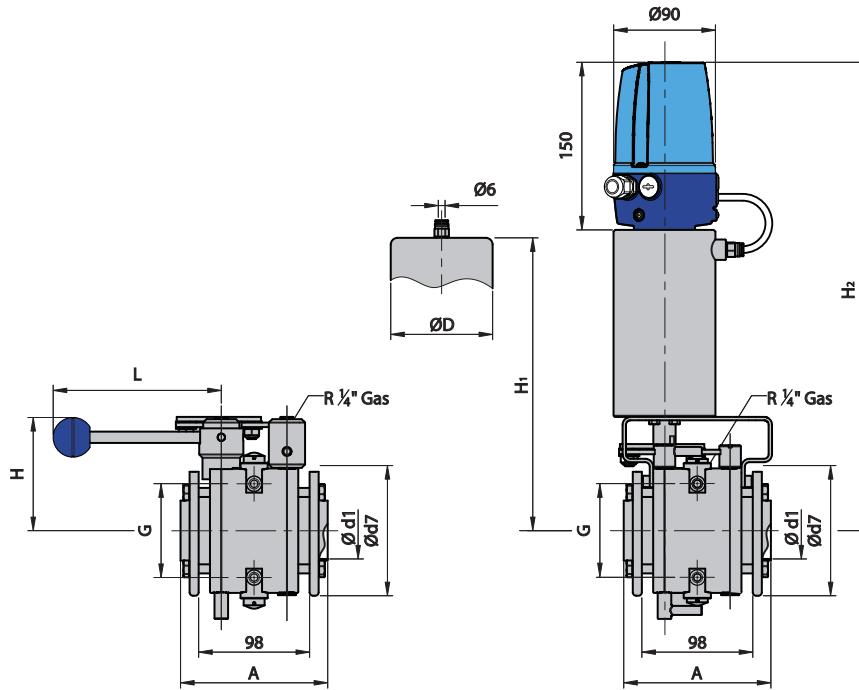
For metric pipe according to DIN 11850

DN	Ød1	Ød7	A	B	C	ØD	G	H	H1	H2	L	Weight [kg]		
												Manual	Actuator	C-TOP
25	26	87	98	122	122	76	60	90	223	399	150	4,2	6	6,5
40	38	97	108	130	130	90	70	95	254	411	150	4,7	7,4	7,9
50	50	110	108	130	130	90	83	100	260	417	150	5,5	8,3	8,8
65	66	127	108	134	134	90	100	110	269	426	180	6,7	9,5	10
80	81	142	118	148	148	133	115	117	325	483	180	8	16,4	16,9
100	100	162	118	152	152	133	136	128	336	494	180	9,8	18,2	18,7

For OD pipe according to ASME BPE

OD	Ød1	Ød7	A	B	C	ØD	G	H	H1	H2	L	Weight [kg]		
												Manual	Actuator	C-TOP
1"	22,1	87	98	122	-	76	60	90	223	399	150	4,2	6	6,5
1 1/2"	34,9	97	108	130	-	90	70	95	254	411	150	4,7	7,4	7,9
2"	47,6	110	108	130	-	90	83	100	260	417	150	5,5	8,3	8,8
2 1/2"	60,3	118	108	134	-	90	92	105	264	421	180	6	8,7	9,2
3"	72,9	131	108	134	-	133	104,6	110	320	478	180	6,8	15,2	15,7
4"	97,4	162	118	152	-	133	136	128	336	494	180	9,8	18,2	18,7

*LBV sandwich valve*



For metric pipe according to DIN 11850

DN	Ød1	Ød7	A	ØD	G	H	H1	H2	L	Weight [kg]		
										Manual	Actuator	C-TOP
25	26	93	126	76	60	90	223	399	150	4,9	6,7	7,2
40	38	103	126	90	70	95	254	411	150	5,6	8,3	8,8
50	50	115	130	90	83	100	260	417	150	6,7	9,5	10
65	66	132	130	90	100	110	269	426	180	8,1	10,9	11,4
80	81	145	138	133	115	117	325	483	180	9,8	18,2	18,7
100	100	165	138	133	136	128	336	494	180	11,9	20,3	20,8

For OD pipe according to ASME BPE

OD	Ød1	Ød7	A	ØD	G	H	H1	H2	L	Weight [kg]		
										Manual	Actuator	C-TOP
1"	22,1	93	126	76	60	90	223	399	150	4,9	6,7	7,2
1 1/2"	34,9	103	126	90	70	95	254	411	150	5,6	8,3	8,8
2"	47,6	115	130	90	83	100	260	417	150	6,7	9,5	10
2 1/2"	60,3	123	130	90	92	105	264	421	180	7,2	9,9	10,4
3"	72,9	137	130	133	104,6	110	320	478	180	8,2	16,6	17,1
4"	97,4	165	138	133	136	128	336	494	180	11,9	20,3	20,8