

**Stainless ball valve  
suitable for drinking  
water**

## **HYDRA**

2-pcs ball valve PN69

- Stainless steel 1.4408
- Female/Female BSPP
- Industrial 2-piece ball valve in good quality
- High rating
- PN69
- Stainless lockable handle
- Full bore
- Suitable for drinking water installations



**Make it better.**

**MODU®**

# HYDRA

2-pcs ball valve PN69 • CE/PED

## Connection

Threaded connection BSPP female/female

## Usable for

Water, air, oil, etc. Is not DVGW approved. May be used for drinking water installations. The ball valve is not covered by the requirements for approval (GDV), but may be used for drinking water as the stainless steel quality is within the standard EN 1.4000 to EN 1.4999.

## Standards

PED 2014/68/EU  
 Thread: ISO228-1  
 Rating: API598, EN12266-1

## Pressure rating

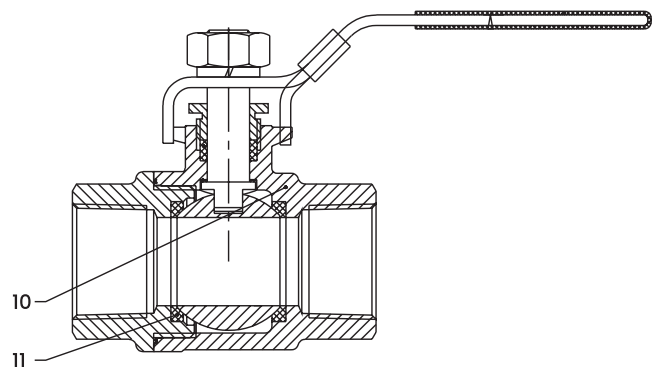
DN08-DN100: 69bar / 1000psi

## Temperature

-20° C to 180° C

## Parts description, excerpt

Pos	Description .....	Material
10	Valve body .....	Stainless steel 1.4408
11	Seat ring.....	PTFE



## Developed for your industry



Additional specification can be requested.

## Make it better.

MODU Valves A/S • moduvalves.com

### ➤ Improve the quality

We help Engineers to improve the quality of your manufacturing process.

### ➤ Optimize total cost

We help Purchasing Officers to optimize total cost of production, prevent downtime and safeguard your brand.

### ➤ Work smarter

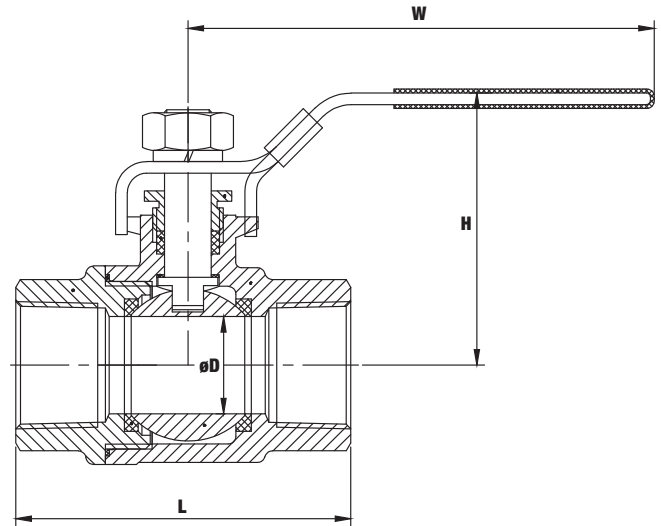
We help Maintenance Crews to work smarter, while preventing time-consuming mistakes.

# HYDRA

2-pcs ball valve PN69 • CE/PED

## Materials

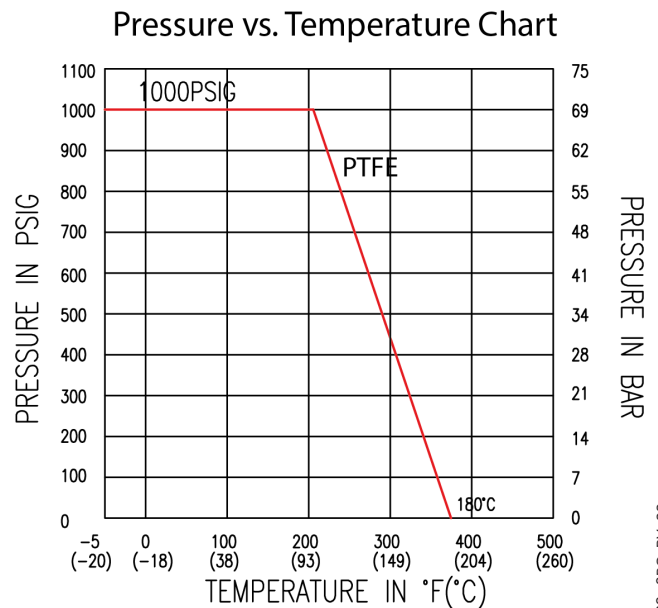
Pos	Description	Material
1	Sleeve	Plastic
2	Lever	Stainless steel AISI304
3	Threaded bushing	Stainless steel AISI304
4	Stem nut	Stainless steel AISI304
5	Spring washer	Stainless steel AISI304
6	Stem gasket	PTFE
7	Sealing	PTFE
8	Body gasket	PTFE
9	Connection	Stainless steel 1.4408
10	Valve body	Stainless steel 1.4408
11	Seat ring	PTFE
12	Ball	Stainless steel 1.4408
13	Stem	Stainless steel AISI316L



## Dimensions

DIM	ØD [mm]	L [mm]	H [mm]	W [mm]	Weight [kg]	
1/4"	DN08	11,0	51,0	51,0	103,0	0,20
3/8"	DN10	12,5	51,0	51,0	103,0	0,20
1/2"	DN15	15,0	63,0	53,0	103,0	0,29
3/4"	DN20	20,0	74,0	65,0	126,0	0,46
1"	DN25	25,0	86,0	77,0	144,0	0,82
1-1/4"	DN32	32,0	98,0	82,0	144,0	1,01
1-1/2"	DN40	38,0	106,0	93,0	189,0	1,49
2"	DN50	50,0	122,0	100,0	189,0	2,22
2-1/2"	DN65	64,0	159,0	118,0	224,0	4,60
3"	DN80	76,0	182,0	129,0	224,0	6,78
4"	DN100	96,0	226,0	166,0	295,0	12,36

## Temperature vs. pressure illustration for PTFE seat ring



Make it better.

MODU Valves A/S • moduvalves.com