

Suitable for cooling applications down to -60 °C

MODU 88LT

3-pcs. ball valve - Low temperature

- Stainless steel "1.4408" -60°C to 245°C
- High quality industrial 3-pcs ball valve
- Suitable for cooling applications down to -60 °C
- Closed pin bolts for easy cleaning (up to 2" FB)
- Unique patented stem seal system that ensures long and trouble-free operation
- "Groove and tongue" flanges ensuring tightness at large temperature variations



Make it better.

MODU[®]

MODU 88LT

3-pcs. ball valve – Low temperature • FDA, ATEX, TA-LUFT, SIL3

Connections

Weld ends, ISO1127, SMS3008 and BSPP threaded ends.

Usable for

Suitable for cooling systems, water, air, steam, oil and more.

Options (on request)

Body, end caps: Duplex, Hastelloy, Titanium
 Seat rings: PTFE, Delrin, PEEK i.a.
 Connections: NPT, ASME, ISO11850

Pressure rating

DN08F-DN40RB: 100bar / 1500psi
 DN40F-DN65RB: 100bar / 1500psi
 DN50F-DN100F: 69bar / 1000psi

Temperature

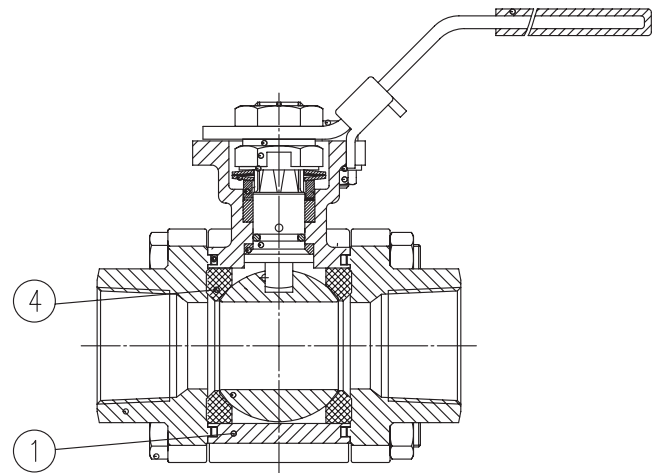
-60°C to 220°C

Accessories

- V-port ball (30°, 60°, 90°), for regulating purposes
- Precision coupling / bracket for regulating purposes
- Closed stem extension, TA-Luft approved stuffing box "TSM"
- Closed stem extension, without stuffing box
- Handle with position indication, lockable
- Position indication, handle operated (inductive or mechanical)

Parts description, excerpt

Pos	Description	Material
1	Body	Stainless Steel 1.4408
4	Seat	CTFE



Spare parts

- Complete kit/set of gaskets
- Seat rings
- Joint (body) gaskets
- Ball

When ordering, please find information in regards to size of valve on the valve nameplate. I.e. MODU 88 DN20F/25R = DN20 Full bore / DN25 Reduce bore

Developed for your industry



Additional specification can be requested.

Make it better.

MODU Valves A/S • moduvalves.com

➤ Improve the quality

We help Engineers to improve the quality of your manufacturing process.

➤ Optimize total cost

We help Purchasing Officers to optimize total cost of production, prevent downtime and safeguard your brand.

➤ Work smarter

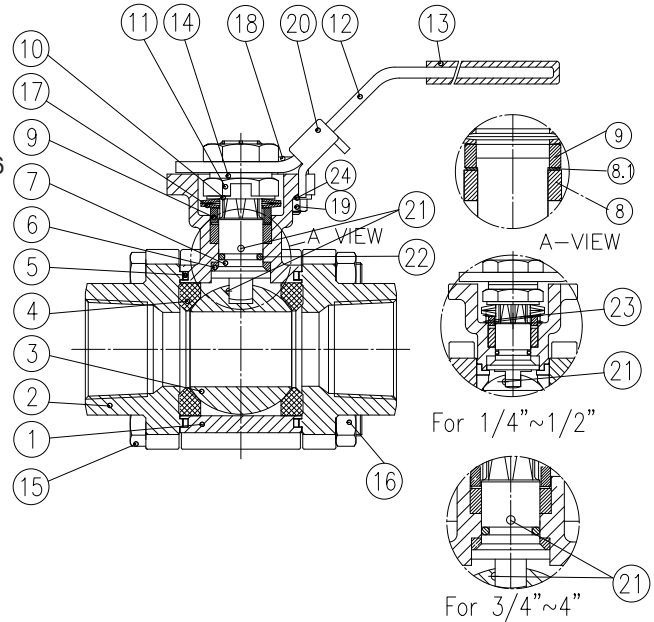
We help Maintenance Crews to work smarter, while preventing time-consuming mistakes.

MODU 88LT

3-pcs. ball valve - Low temperature • FDA, ATEX, TA-LUFT, SIL3

Materials

Pos	Description	Material
1	Body	Stainless Steel 1.4408
2	Connection	Stainless Steel CF3M
3	Ball	Stainless Steel 1.4408/AISI316
4	Seat	CTFE
5	Joint gasket	Graphite
6	Stem seal	RTFE
7	Stem	Stainless Steel AISI316
8	Stem packing	Graphite
8.1	Stem seal top ring	RTFE
9	Gland	Stainless Steel AISI304
10	Lock saddle	Stainless Steel AISI304
11	Stem nut	Stainless Steel AISI304
12	Handle	Stainless Steel AISI304
13	Sleeve	Vinyl
14	Washer	Stainless Steel AISI304
15	Bolt	Stainless Steel AISI304
16	Nut	Stainless Steel AISI304
17	Belleville washer	Stainless Steel AISI301
18	Stop bolt	Stainless Steel AISI304
19	Nut	Stainless Steel AISI304
20	Locking device	Stainless Steel AISI304
21	Antistatic device	Stainless Steel AISI316
22	O-ring	EPDM
23	Spring	Stainless Steel AISI316
24	Washer	Stainless Steel AISI304



DIM	Weld Thread	*) Torque [Nm]						Weight [Kg]		Kv-value [m ³ /t]		Weld ends available as [R=Reduce bore] [F=Full bore]	
		FB 10% Max bar	FB 50% Max bar	FB 100% Max bar	RB 10% Max bar	RB 50% Max bar	RB 100% Max bar	FB	RB	FB 90°	RB 90°	CF3M SMS3008**	ØG x T (DN)
DN08	1/4"	6,9	6,9	7,7	-	-	-	0.89	-	6.9	-	F	10.0 x 1.0 (11.5)
DN10	3/8"	6,9	6,9	7,7	-	-	-	0.88	-	6.9	-	F	12.0 x 1.0 (11.5)
DN15	1/2"	6,9	6,9	10,0	6,9	6,9	7,7	0.82	0.84	12.7	6.9	R/F	18.0 x 1.0 (12.6)
DN20	3/4"	9,2	9,2	15,4	6,9	6,9	10,0	1.29	0.85	29.2	12.7	R/F	25.0 x 1,2 (15.0)
DN25	1"	13,1	13,1	20,0	9,2	9,2	15,4	2.01	1.41	48.2	29.2	R/F	25.0 x 1.2 (20.0)
DN32	1 1/4"	20,0	20,0	33,8	13,1	13,1	20,0	2.76	2.17	73.1	48.2	R/F	32.0 x 1.2 (20.0)
DN40	1 1/2"	26,9	26,9	51,5	20,0	20,0	33,8	4.21	2.87	107.5	73.1	R/F	38.0 x 1.2 (32.0)
DN50	2"	27,7	33,1	60,8	26,9	26,9	51,5	5.83	4.49	215.0	107.5	R/F	51.0 x 1.2 (38.0)
DN65	2 1/2"	52,3	83,8	141,5	27,7	33,1	60,8	11.00	6.94	275.2	215.0	R/F	63.5 x 1.6 (50.0)
DN80	3"	67,7	108,5	183,1	52,3	83,8	141,5	14.78	12.64	498.8	275.2	R/F	76.1 x 1.6 (65.0)
DN100	4"	87,7	167,0	254,6	67,7	108,5	183,1	23.30	16.00	877.2	498.8	R/F	101.6 x 2.0 (76.0)

*) Torques are listed without safety factor at 20°C. See section for actuator sizing in the following pages.

**) For SMS butt weld ends please refer to the bore (ØC) when reading the Kv-value. Ex. (Ø25x1,2 (15) = DN15F/20R)

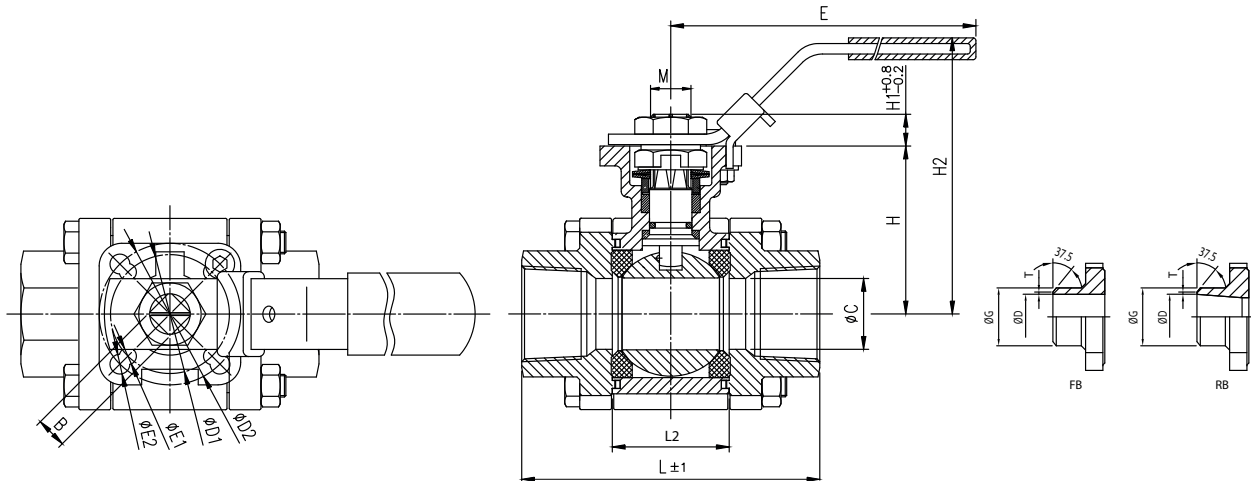
Make it better.

MODU Valves A/S • moduvalves.com

MODU 88LT

3-pcs. ball valve - Low temperature • FDA, ATEX, TA-LUFT, SIL3

Dimensions



DIM	ØC [mm]		B [mm]		L [mm] BSPP		L [mm] ISO		L [mm] SMS		L2 [mm]		E [mm]		H [mm]	
	F	R	F	R	F	R	F	R	F	R	F	R	F	R	F	R
1/4"	11.5	-	9	-	75.0	-	75.0	-	-	-	24.5	-	139	-	42.6	-
3/8"	12.6	-	9	-	75.0	-	75.0	-	68.8	-	24.5	-	139	-	42.6	-
1/2"	15	12.6	9	9	72.5	75.0	75.0	75.0	75.0	75.0	24.5	24.5	139	139	42.6	42.6
3/4"	20	15	9	9	85.4	72.5	90.0	74.8	90.0	74.8	31.4	24.5	139	139	46.9	42.6
1"	25	20	11	9	105.3	85.4	110.0	89.8	110.0	89.8	41.3	31.4	165	139	59.3	46.9
1-1/4"	32	25	11	11	111.0	105.3	115.0	109.4	-	109.4	48.4	41.3	165	165	62.6	59.3
1-1/2"	38	32	14	11	127.3	111.0	130.0	114.4	-	114.4	56.3	48.4	215	165	79.0	62.6
2"	50	38	14	14	142.8	127.3	142.8	130.0	-	130.0	71.4	56.3	215	215	87.7	79.0
2-1/2"	65	50	17	14	185.0	145.0	185.0	145.0	-	145.0	86.6	71.4	300	215	108.7	87.7
3"	76	65	17	17	205.0	185.0	205.0	185.0	-	185.0	99.0	86.6	370	300	117.7	108.7
4"	100	80	17	17	240.0	205.0	240.0	205.0	-	205.0	127.0	99.0	370	370	133.7	117.7

DIM	H1 [mm]		H2 [mm]		M		ISO5211	
	F	R	F	R	F	R	F	R
1/4"	7.6	-	77.0	-	7/16"UNF	-	F03/F04	-
3/8"	7.6	-	77.0	-	7/16"UNF	-	F03/F04	-
1/2"	7.6	7.6	77.0	77.0	7/16"UNF	7/16"UNF	F03/F04	F03/F04
3/4"	8.6	7.6	82.0	77.0	7/16"UNF	7/16"UNF	F03/F04	F03/F04
1"	10.4	8.6	98.5	82.0	9/16"UNF	7/16"UNF	F04/F05	F03/F04
1-1/4"	10.4	10.4	102.0	98.5	9/16"UNF	9/16"UNF	F04/F05	F04/F05
1-1/2"	13.4	10.4	128.0	102.0	3/4"UNF	9/16"UNF	F05/F07	F04/F05
2"	13.4	13.4	137.0	128.0	3/4"UNF	3/4"UNF	F05/F07	F05/F07
2-1/2"	16.8	13.4	167.0	137.0	M24	3/4"UNF	F07/F10	F05/F07
3"	17.8	16.8	176.0	167.0	M24	M24	F07/F10	F07/F10
4"	16.8	17.8	192.0	176.0	M24	M24	F07/F10	F07/F10

Make it better.

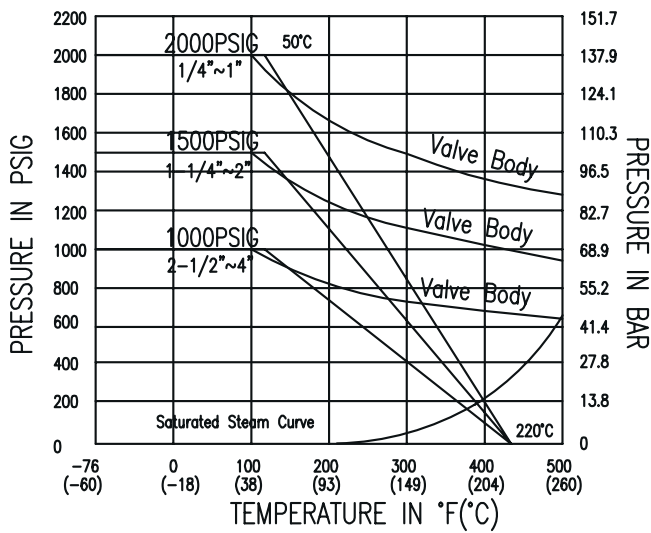
MODU Valves A/S • moduvalves.com

MODU 88LT

3-pcs. ball valve - Low temperature • FDA, ATEX, TA-LUFT, SIL3

Temperature vs. pressure table for CTFE seats

Valid for fluids and dry gasses. For steam applications or applications with higher temperature/pressure ratio, contact MODU Valves A/S.



Actuator sizing

Media factor	Multiply by
Clean, particle free, lubricating (oil, hydraulic fluids etc)	1.00
Clean, particle free, non-lubricating (water, alcohol etc)	1.20
Moist gas or saturated steam	1.20
Dry gas or saturated steam	1.40
Gas, dirty unfiltered i.e. Natural gas	1.50
Particle filled, corrosive, solvents and polluted systems	2.00 #
Service factor	Multiply by
Simple on / off maneuvering	1.00
Regulating / Throttling	1.20
Maneuvering once per week	1.20
Maneuvering every second week or critical component	1.50

For actuator dimensioning:

Torque x Media factor x Service factor

Polluted systems will reduce the expected life span of the seat rings