



Double acting
pneumatic actuator
- air/air

Venus DA

Pneumatic actuator

- DA, Double acting - air/air
- NBR -20 to 80°C
- High quality industrial pneumatic actuator
- Robust anodized aluminum casing / body
- ISO5211 connection
- VDI / VDE connection for position indication
- NAMUR connection for solenoid valves
- Mounted with plastic/metal indicator for inductive sensors



Make it better.

MODU[®]

Venus DA

Pneumatic actuator • CE, ATEX, SIL III

General

Torque: 14 to 3.500Nm, at 6barg
 Supply: 2,0 to 10bar, ISO 8573-1 Class 3
 Connection: Namur and 2 pcs. 1/4" BSPP
 Adjustment: Open/close +/- 5° (-5...5° and 85...95°)

Usable for

Quarter-turn valves, i.e. butterfly valve, ball valves, dampers etc.

Options (on request)

Body/ends: PTFE coated, Epoxy coated
 Gaskets/o-rings: FPM (-15 to 150°C),
 Silicone (-35 to 80°C)
 Connection: Key drive
 Rotation angle: 60°, 120°, 180°

Temperature

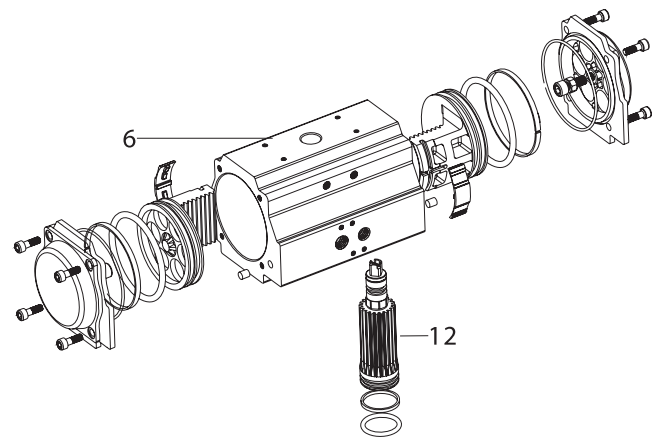
NBR -20 to 80°C

Accessories

- End-cover with extra long adjustment bolt (45°...95°)
- Electropneumatic positioner
- Mechanical limit switchbox
- Double inductive proximity sensor
- Solenoid valve, Namur 5/2, 24VDC / 230VAC
- Pneumatic air fittings, silencers, throttles
- Quick exhaust
- Various couplings and brackets in stainless steel for valve mounting

Parts description, excerpt

Pos	Description	Material
6	Body.....	Aluminum (6005-T5)
12	Pinion.....	Steel 45, nickel-plated



Spare parts

- Complete set of gaskets / kit
- Position indicator / puk

When / before ordering please identify the size of the actuator by looking at the label i.e. VENUS DA-63.

Developed for your industry



Additional specification can be requested.

Make it better.

MODU Valves A/S • moduvalves.com

➤ Improve the quality

We help Engineers to improve the quality of your manufacturing process.

➤ Optimize total cost

We help Purchasing Officers to optimize total cost of production, prevent downtime and safeguard your brand.

➤ Work smarter

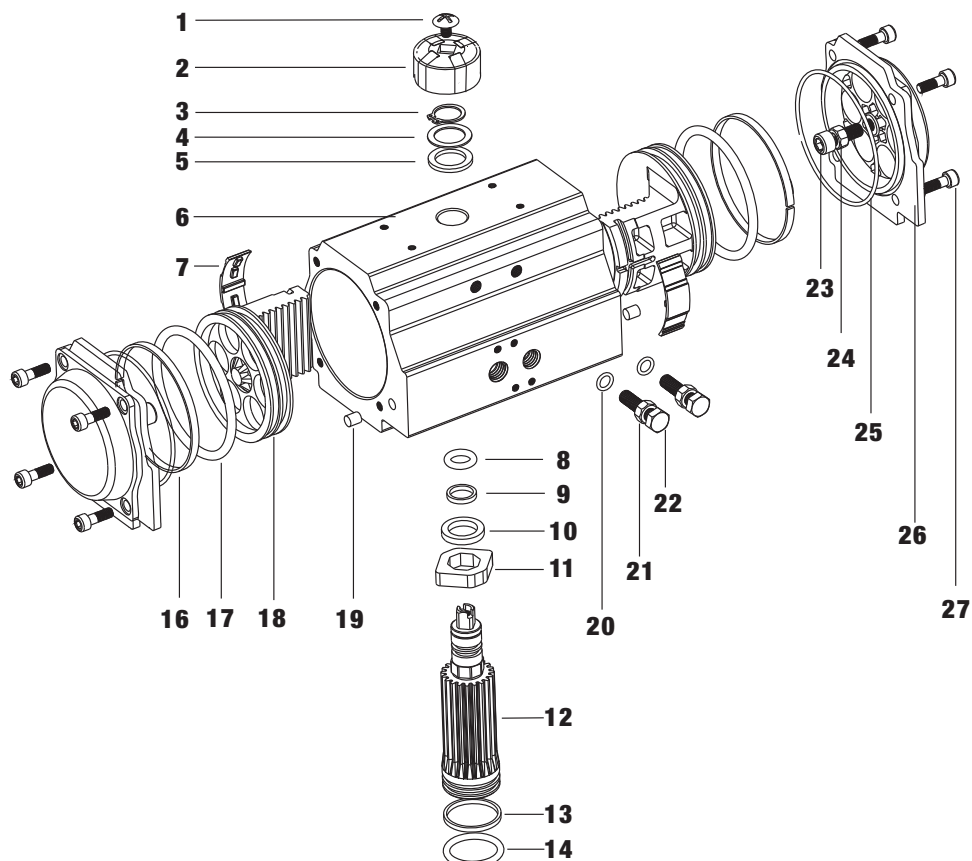
We help Maintenance Crews to work smarter, while preventing time-consuming mistakes.

Venus DA

Pneumatic actuator • CE, ATEX, SIL III

Material

Pos	Description	Material
1	Indicator bolt.....	Stainless Steel AISI304/ABS
2	Indicator.....	Plastic (ABS) / AISI304
3	Circlip.....	Stainless Steel AISI304
4	Trust washer.....	Stainless Steel AISI304
5	Outside washer.....	POM
6	Body.....	Aluminum (6005-T5)
7	Guide.....	POM
8	O-ring.....	NBR
9	Bearing.....	POM
10	Inside washer.....	POM
11	Cam.....	Steel 45
12	Pinion.....	Steel 45, nickel-plated
13	Bearing.....	POM
14	O-ring.....	NBR
16	Bearing.....	POM
17	O-ring.....	NBR
18	Piston.....	Aluminum (A380)
19	Plug.....	NBR
20	O-ring.....	NBR
21	Nut.....	Stainless Steel AISI304 / A2
22	Adjust screw / bolt.....	Stainless Steel AISI304 / A2
23	Stop bolt.....	Stainless Steel AISI304 / A2
24	Stop nut.....	Stainless Steel AISI304 / A2
25	O-ring.....	NBR
26	End cap.....	Aluminum (A380)
27	Cap screw.....	Stainless Steel AISI304 / A2



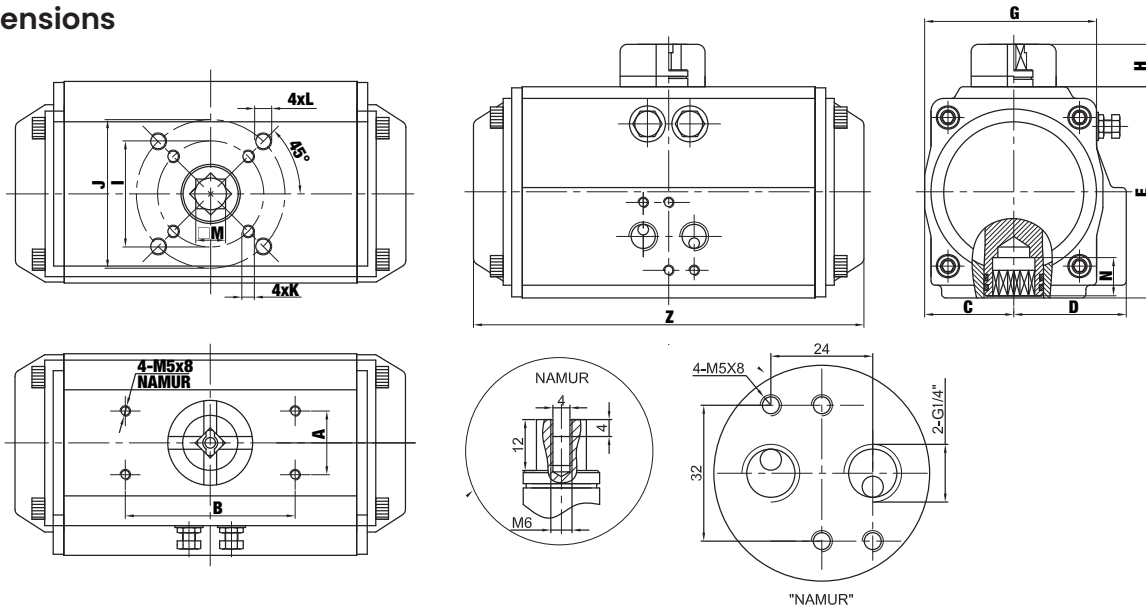
Make it better.

MODU Valves A/S • moduvalves.com

Venus DA

Pneumatic actuator • CE, ATEX, SIL III

Dimensions



Model	A	B	C	D	E	G	H	I ISO5211	J ISO5211	K	L	M	N	Z	Connection
VENUS DA-32	30	80	22.5	32.5	45.0	45.0	20	Ø36 (F03)	-	M5x8	M6x10	9	11	118	G1/8"
VENUS DA-40	30	80	28.5	36.5	60.0	65.0	20	Ø42 (F04)	-	M5x8	M6x10	9	14	120	G1/4"
VENUS DA-40	30	80	28.5	36.5	60.0	65.0	20	Ø36 (F03)	Ø50 (F05)	M5x8	M6x10	11	14	120	G1/4"
VENUS DA-52	30	80	30.0	41.5	72.0	65.0	20	Ø36 (F03)	Ø50 (F05)	M5x8	M6x10	11	14	147	G1/4"
VENUS DA-63	30	80	36.0	47.0	87.5	72.0	20	Ø50 (F05)	Ø70 (F07)	M6x10	M8x13	14	18	168	G1/4"
VENUS DA-75	30	80	42.0	53.0	99.5	81.0	20	Ø50 (F05)	Ø70 (F07)	M6x10	M8x13	14	18	184	G1/4"
VENUS DA-83	30	80	46.0	57.0	108.8	92.0	20	Ø50 (F05)	Ø70 (F07)	M6x10	M8x13	17	21	204	G1/4"
VENUS DA-92	30	80	50.0	61.0	116.5	98.0	20	Ø50 (F05)	Ø70 (F07)	M6x10	M8x13	17	21	262	G1/4"
VENUS DA-105	30	80	57.5	64.0	133.0	109.5	20	Ø70 (F07)	Ø102 (F10)	M8x13	M10x16	22	26	268	G1/4"
VENUS DA-125	30	80	67.5	74.5	155.0	127.5	20	Ø70 (F07)	Ø102 (F10)	M8x13	M10x16	22	26	301	G1/4"
VENUS DA-140	30	80	75.0	77.0	172.0	137.5	20	Ø102 (F10)	Ø125 (F12)	M10x16	M12x20	27	31	390	G1/4"
VENUS DA-160	30	80	87.0	87.0	197.0	158.0	20	Ø102 (F10)	Ø125 (F12)	M10x16	M12x20	27	31	458	G1/4"
VENUS DA-190	30	130	103.0	103.0	230.0	189.0	30	-	Ø140 (F14)	-	M16x25	36	40	528	G1/4"
VENUS DA-210	30	130	114.0	114.0	255.0	211.0	30	-	Ø140 (F14)	-	M16x25	36	40	532	G1/4"
VENUS DA-240	30	130	130.0	130.0	289.0	245.0	30	-	Ø165 (F16)	-	M20x25	46	50	602	G1/4"
VENUS DA-270	30	130	147.0	147.0	326.0	273.0	30	-	Ø165 (F16)	-	M20x25	46	50	722	G1/2"

Make it better.

MODU Valves A/S • moduvalves.com

Venus DA

Pneumatic actuator • CE, ATEX, SIL III

Torques

Model	Supply air [Bar] - Torques [Nm]										Weight KG	Air volumen [L]		Cycle time [sec]*	
	2	2.5	3	4	4.5	5	5.5	6	7	8		Open	Close	Open	Close
VENUS DA-32	3.1	3.8	4.6	6.1	6.9	7.6	8.4	9.2	10.7	12.2	0.7	0.05	0.06	0.50	0.40
VENUS DA-40	4.8	6.0	7.2	9.5	10.7	11.9	13.1	14.3	16.7	19.1	0.8	0.06	0.08	0.55	0.47
VENUS DA-52	8.0	10.0	12.0	16.0	18.0	20.0	21.9	23.9	27.9	31.9	1.4	0.12	0.16	0.60	0.53
VENUS DA-63	14.6	18.2	21.9	29.2	32.8	36.5	40.1	43.8	51.1	58.4	2.0	0.21	0.23	0.66	0.58
VENUS DA-75	20.1	25.1	30.1	40.1	45.1	50.2	55.2	60.2	70.2	80.3	2.7	0.30	0.34	0.70	0.64
VENUS DA-83	31.4	39.2	47.0	62.7	70.5	78.4	86.2	94.1	109.7	125.4	3.1	0.43	0.47	0.83	0.73
VENUS DA-92	45.1	56.4	67.7	90.3	101.6	112.9	124.1	135.4	158.0	180.6	4.6	0.64	0.73	0.90	0.86
VENUS DA-105	66.1	82.7	99.2	132.2	148.8	165.3	181.8	198.4	231.4	264.5	6.8	0.95	0.88	1.24	1.20
VENUS DA-125	100.3	125.4	150.5	200.6	225.7	250.8	275.9	301.0	351.1	401.3	8.9	1.60	1.40	2.30	1.70
VENUS DA-140	171.0	213.8	256.5	342.0	384.8	427.5	470.3	513.0	598.5	684.0	13.3	2.50	2.20	2.40	2.00
VENUS DA-160	266.0	332.5	399.0	532.0	598.5	665.0	731.5	798.0	931.0	1064.0	20.1	3.70	3.20	3.83	2.50
VENUS DA-190	425.6	532.0	638.4	851.2	957.6	1064.0	1170.4	1276.8	1489.6	1702.4	31.3	5.90	5.40	4.45	3.55
VENUS DA-210	532.0	665.0	798.0	1064.0	1197.0	1330.0	1463.0	1596.0	1862.0	2128.0	46.8	7.50	7.50	5.40	4.25
VENUS DA-240	796.5	961.9	1154.3	1539.0	1731.4	1923.8	2116.1	2308.5	2693.3	3078.0	67.3	11.00	9.00	8.30	8.23
VENUS DA-270	1169.6	1462.1	1754.5	2339.3	2631.7	2924.1	3216.5	3508.9	4093.7	4678.6	96.9	17.00	14.00	10.80	8.38

*Based on 6 bar supply air pressure, no load on actuator.