



Solenoid valve with
IP66 encapsulated
coil and connector

PHOBUS

Solenoid valve

- Namur 3/2 and 5/2 way
- NBR (-15 til 80°C)
- Solenoid valve, type PHOBUS, is a high quality industrial solenoid valve with IP66 encapsulated coil and connector
- Hard anodized aluminium
- Namur interface
- Manuel override
- IP66 enclosure
- Adapter plate for 3/2 (pring return) or 5/2 (double acting)
- Coil / connector can be freely rotated with 90 ° increments



Make it better.

MODU[®]

PHOBUS

Solenoid valve • SIL3, CE, CSA, IP66

Field of application

Pneumatic actuatorer with Namur interface.

Connections

Port 2 and 4 (Namur), Port 1,3 and 5 (1/4" BSPP)

Voltage / Consumption

24VDC / 2,8W, 24VAC / 4VA, 230VAC / 4VA

Connector / enclosure

3-pol, DIN 46244 / IP66 for kabel ø5...8mm

Supply pressure

2...8Bar, dry filtered air according to (DIN/ISO 8573-1 Class 3)

Temperature

NBR (-15 to 80°C)

Flow rate

Kvs 0,95m³/h or 1.250L/min (6 bar)

Options

Other coil voltage. Double coil. Atex coil.

Developed for your industry



Additional specification can be requested.

Make it better.

MODU Valves A/S • moduvalves.com

➤ Improve the quality

We help Engineers to improve the quality of your manufacturing process.

➤ Optimize total cost

We help Purchasing Officers to optimize total cost of production, prevent downtime and safeguard your brand.

➤ Work smarter

We help Maintenance Crews to work smarter, while preventing time-consuming mistakes.

PHOBUS

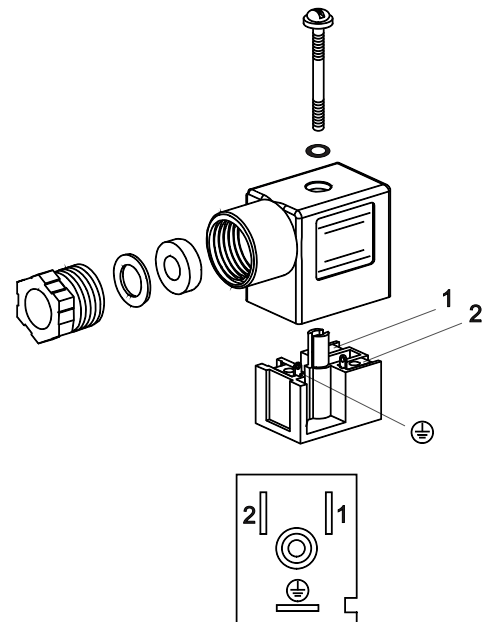
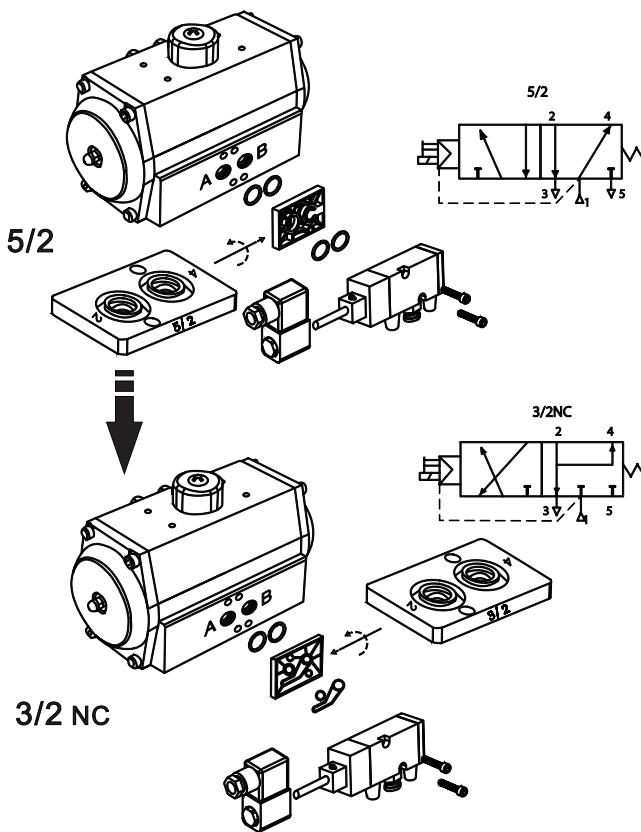
Solenoid valve • SIL3, CE, CSA, IP66

Assembly solenoid valve

For double acting actuators, use the supplied 5/2-way adapter plate. For single acting, spring-return actuators, use the supplied 3/2-way adapter plate.

Electrical wiring

24VDC	1(+), 2(-), Ground
24VAC	1(Phase), 2(N), Ground
230VAC	1(Phase), 2(N), Ground



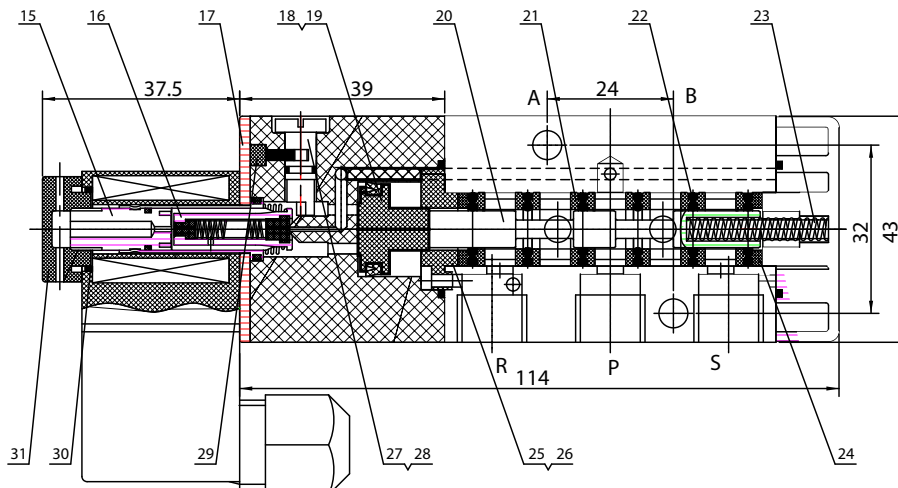
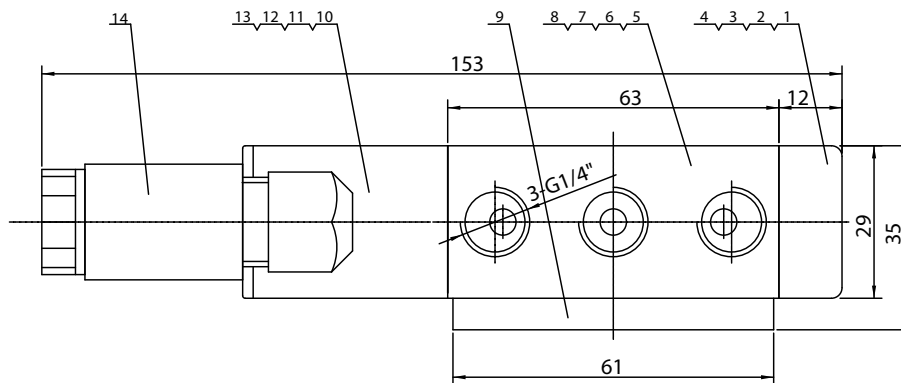
PHOBUS

Solenoid valve • SIL3, CE, CSA, IP66

Material

Pos	Description	Material
1	End cap	Zn-aluminium (z zna14-1)
2	O-ring	NBR
3	Bolt m3x12	Stainless steel aisi304
4	Washer	Stainless steel aisi304
5	Body	Aluminum (6063)
6	Ball	Stainless steel aisi304
7	Dust cap	Polyethylen
8	Adapter plate	Nylon + 30% glass fiber
9	Bolt m5x35	Stainless steel aisi304
10	Pilot valve	PBT + 15% glass fiber
11	Ball	Stainless steel aisi304
12	Bolt m5x35	Stainless steel aisi304
13	Rod	Stainless steel aisi304
14	Coil	Encapsulated copper
15	Fixed magnetic core	Stainless steel
16	Movable core	Stainless steel

Pos	Description	Material
17	Plate	Stainless steel aisi304
18	Piston O-ring	NBR
19	Piston	Nylon 1010
20	Spool	Aluminium (6063)
21	Bushing	PBT
22	Spoole O-ring	NBR
23	Spring	Stainless steel
24	Bushing	POM
25	Bushing	POM
26	Gasket	NBR
27	O-ring	NBR
28	Manuel overwrite	H62
29	Plug	NBR
30	O-ring	NBR
31	Coil nut	Nylon + 30% glass fiber



Make it better.

MODU Valves A/S • moduvalves.com