



Ensuring reliable  
position indication

# DEIMOS

Mechanical switch box

- 2 x SPDTs witch 16A
- -25 to 85°C
- Mechanical box, model DEIMOS. An industrial encapsulated high quality feedback unit which ensuring reliable position indication
- Epoxy powder coated aluminium
- Good visual indication
- IP67 enclosure
- 16A witch
- Available terminal blocks for wiring eg. solenoid valve
- VDI / VDE mounting bracket included 30x80mm
- UV resistant indicator dome

Make it better.



**MODU**<sup>®</sup>

# DEIMOS

Mechanical switch box • CE, CSA, IP67

## Field of application

Pneumatic actuators, 90° rotating with VDI / VDE connection

## Cable gland / enclosure

2 x M20 / IP67 NEMA 4.4x

## Voltage / Max current

125..250VAC / 16A, 12..30VDC / 10A, 125...250VDC / 0,3A

## Terminal blocks

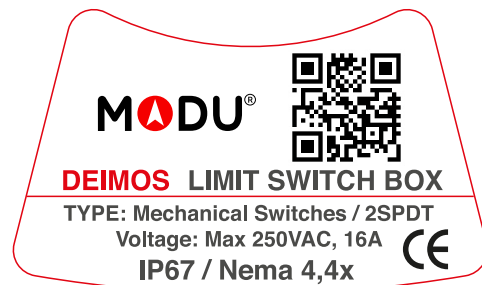
8 x 1,5mm<sup>2</sup>, including 2 x EXT terminal

## Temperature

-25 to 85°C

## Options on request

- 3-way indicator "L" or "T"
- Inductive sensors
- VDI / VDE bracket 30x130mm
- Glands: 1/2 "NPT, PG13.5



## Developed for your industry



Additional specification can be requested.

## Make it better.

MODU Valves A/S • moduvalves.com

### ➤ Improve the quality

We help Engineers to improve the quality of your manufacturing process.

### ➤ Optimize total cost

We help Purchasing Officers to optimize total cost of production, prevent downtime and safeguard your brand.

### ➤ Work smarter

We help Maintenance Crews to work smarter, while preventing time-consuming mistakes.

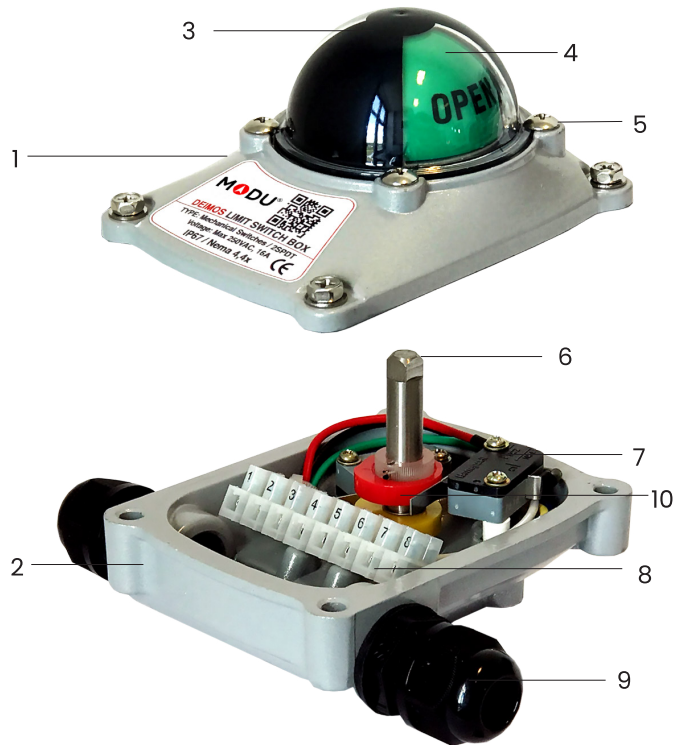
# DEIMOS

Mechanical switch box • CE, CSA, IP67

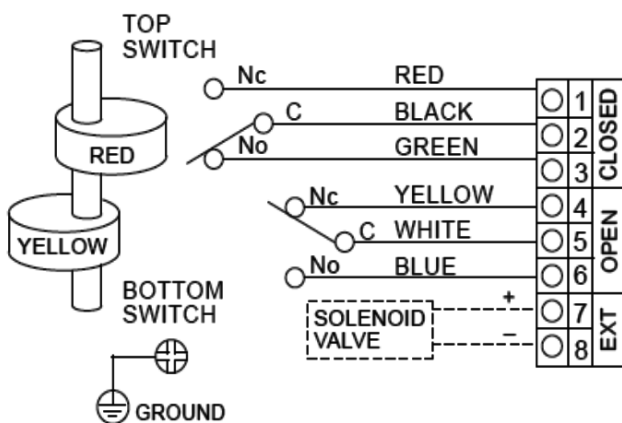
## Parts

Pos Description

- 1 Upper part
- 2 Lower part
- 3 Dome
- 4 Indicator OPEN / CLOSED
- 5 Bolts / screws
- 6 Rotating stem
- 7 Switch
- 8 Terminal block
- 9 Gland
- 10 Adjustable cam



## Wiring diagram



**Make it better.**

MODU Valves A/S • moduvalves.com

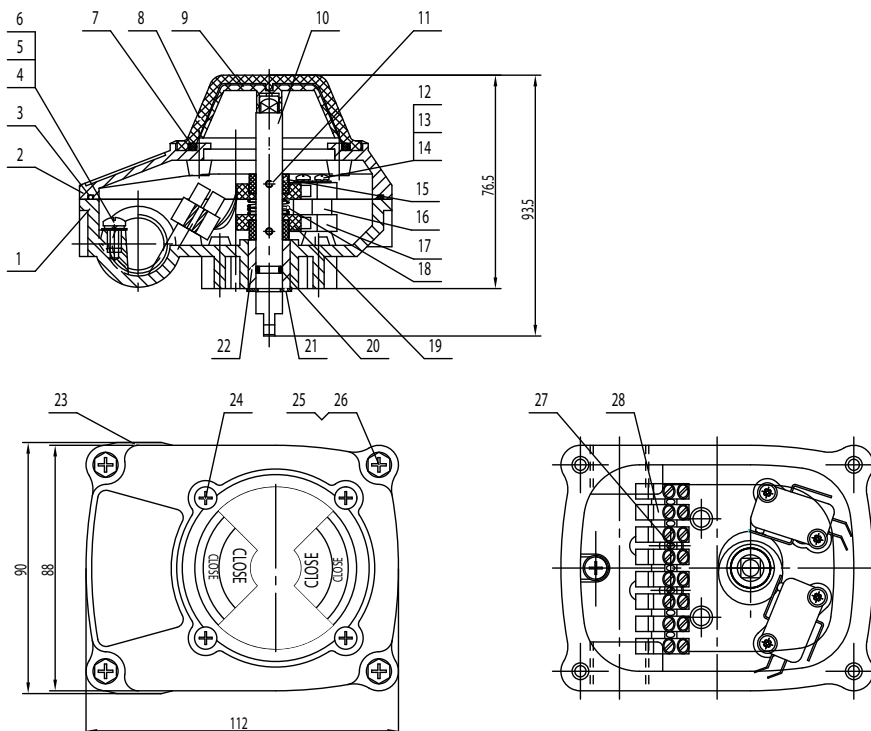
# DEIMOS

Mechanical switch box • CE, CSA, IP67

## Material

Pos	Description	Material
1	Casing	Aluminium + epoxy
2	Cover	Aluminium + epoxy
3	Gasket	NBR
4	Screw	Stainless steel aisi304
5	Locking washer	Stainless steel aisi304
6	Washer	Stainless steel aisi304
7	O-ring	NBR
8	Dome	Polycarbonate
9	Indicator	Polycarbonate / ABS
10	Stem	Stainless steel aisi304
11	Rivet	Stainless steel aisi304
12	Screw	Stainless steel aisi304
13	Spring washer	Stainless steel aisi304
14	Washer	Stainless steel aisi304

Pos	Description	Material
15	Bushing	Polycarbonate
16	Distance piece	Stainless steel aisi304
17	Mechanical switch	Thermoplastic / metal
18	Spring	Stainless steel
19	Adjustable cam	Polycarbonate
20	O-ring	NBR
21	Washer	Stainless steel aisi304
22	Bushing	Bronze
23	Plug	NBR
24	Screw	Stainless steel aisi304
25	Bolt	Stainless steel aisi304
26	Washer	Stainless steel aisi304
27	Screw	Stainless steel aisi304
28	Terminal blocks	Polycarbonate



Make it better.

MODU Valves A/S • moduvalves.com