

Control Handle type MPH

Stainless steel AISI304 • MODU 83/88, 3-pcs ball valve

General

Control handle with 0–100% scale.
Lockable in any position.

- Robust construction in 2–4 mm stainless steel
- Vinyl handle • 0–100% scale
- Stepless locking mechanism

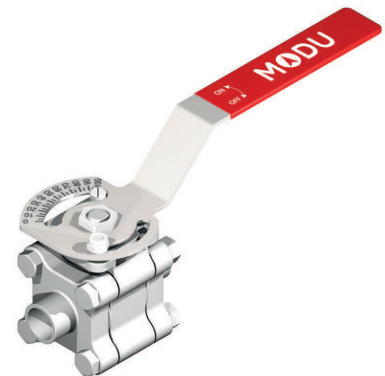
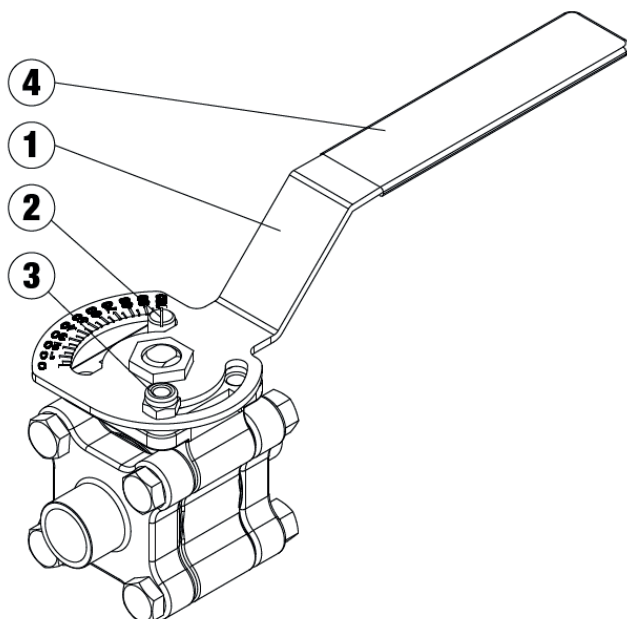
Usable for

For manual control of 3-piece V-port ball valves.
Precision throttling of media such as liquids, steam, gases, etc.

Connections

MODU 83 DN08FB-15RB: DD6,5mm F03
 MODU 83 DN15FB-25RB: DD6,5mm F03
 MODU 83 DN25FB-40RB: DD8,0mm F04
 MODU 83 DN40FB-65RB: DD9,6mm F05
 MODU 88 DN08FB-25RB: 9x9mm F03/F04
 MODU 88 DN25FB-40RB: 11x11mm F04/F05
 MODU 88 DN40FB-65RB: 14x14mm F05/F07
 MODU 88 DN65FB-100FB: 17x17mm F07/F10

Component description



Materials

Pos	Description	Material
1	Position handle*	Stainless steel AISI304
2	Scale indicator	Stainless steel A2
3	Locking bolt/nut	Stainless steel A2
4	Handle grip	Vinyl

*MODU 88 DN65FB-100FB is supplied with a tubular handle

Spare parts

Complete position handle with mounting bolts / washers.

Accessories

When installing the position handle, it is recommended to fit a V-port ball inside the valve for optimal flow control. Please contact MODU Valves for assistance with V-port ball sizing.



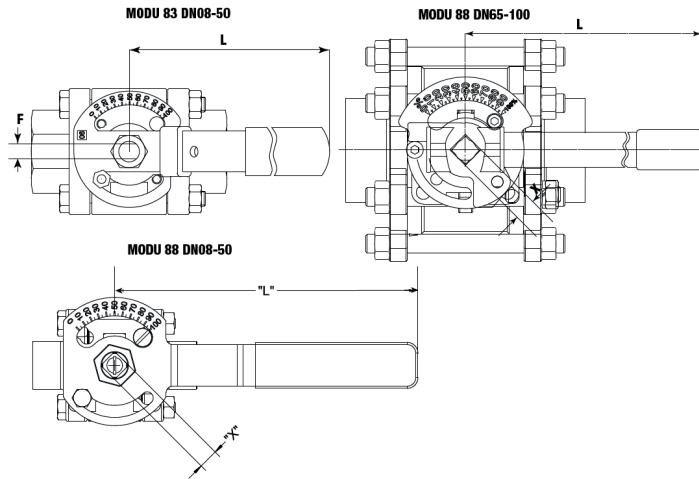
Make it better.

MODU Valves A/S • moduvalves.com

Control Handle type MPH

Stainless steel AISI304 • MODU 83/88, 3-pcs ball valve

Dimensions



MODU 83

DN	08F/25R	25F/40R	40F/65R
L [mm]	134	170	207
F [mm]	6,5	8,0	9,6

MODU 88

DN	08F/25R	25F/40R	40F/65R	65F/100R	100F
L [mm]	139	165	215	300	370
X [mm]	9x9	11x11	14x14	17mm	17mm

Kv-values for V-port balls

DIMENSION	V-PORT	0%	15%	20%	30%	40%	50%	60%	70%	80%	90%	100%
DN10FB/ DN15RB	V30	0.00	0.00	0.01	0.03	0.08	0.14	0.25	0.38	0.52	0.70	0.88
	V60	0.00	0.00	0.02	0.05	0.12	0.25	0.46	0.70	1.04	1.44	1.91
DN15FB/ DN20RB	V30	0.00	0.09	0.09	0.17	0.26	0.43	0.68	0.94	1.36	1.87	2.21
	V60	0.00	0.09	0.09	0.26	0.43	0.77	1.19	1.70	2.81	3.74	5.10
DN20FB/ DN25RB	V30	0.00	0.09	0.17	0.43	0.60	0.94	1.53	2.04	2.81	3.83	4.59
	V60	0.00	0.09	0.17	0.60	0.85	1.45	2.38	3.40	5.53	7.65	10.20
DN25FB/ DN32RB	V30	0.00	0.09	0.26	0.68	1.11	1.96	2.98	4.34	7.23	8.33	8.50
	V60	0.00	0.17	0.34	0.94	1.53	2.89	4.51	6.72	10.46	13.01	17.85
DN32FB/ DN40RB	V30	0.00	0.17	0.34	0.94	1.70	3.15	4.68	6.80	8.50	11.05	12.75
	V60	0.00	0.17	0.51	1.53	2.55	4.68	8.08	10.88	16.15	22.10	33.15
DN40FB/ DN50RB	V30	0.00	0.26	0.51	1.36	2.55	4.25	6.38	9.35	11.90	14.45	17.00
	V60	0.00	0.34	0.68	2.13	3.40	6.80	11.05	16.15	22.95	34.00	44.20
DN50FB/ DN65RB	V30	0.00	0.34	0.84	3.23	5.10	8.50	12.75	19.55	26.35	36.55	51.00
	V60	0.00	0.34	1.28	3.91	7.65	14.03	22.95	33.15	46.75	70.55	93.50
DN65FB/ DN80RB	V30	0.00	0.34	1.02	3.40	6.80	10.20	15.30	23.80	31.45	52.70	63.75
	V60	0.00	0.34	1.28	4.25	8.50	17.85	28.90	45.05	63.75	87.55	127.50
DN80FB/ DN100RB	V30	0.00	0.43	1.02	3.40	6.80	11.90	19.55	28.05	39.10	55.25	69.70
	V60	0.00	0.43	2.13	5.10	11.90	21.25	34.00	55.25	77.35	108.80	140.25
DN100FB	V30	0.00	0.51	1.70	5.10	12.75	24.65	40.80	60.35	85.00	110.50	135.15
	V60	0.00	0.60	2.55	9.35	21.25	34.00	50.15	76.50	119.85	180.20	302.6