

MODU 83/88

3-pcs ball valve

Stainless steel CF8M
ASME • True BORE OD

General description

High quality industrial 3-pcs ball valve • Closed pin bolts for easy cleaning • Unique stuffing box ensuring long and reliable service • Food grade materials used throughout the valve • Internal parts polished Ra<0,5.

Connection

Butt Weld, ASME OD True Bore.

Usable for

Water, air, steam, oil etc.

Full traceability on parts

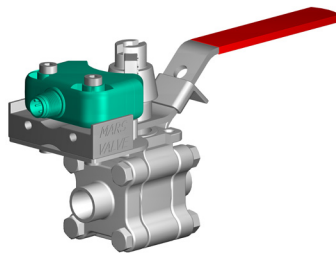
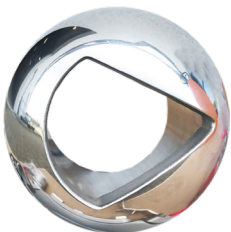
Deliveres with serial number and 100% traceability.

Pressure rating

MODU 83 DN15F-DN50TB:	63bar / 1000psi
MODU 88 DN65-DN100TB:	63bar / 1000psi

Accessories

V-port ball (30°, 60°, 90°), for regulating purposes.
Precision coupling / bracket for regulating purposes.
Closed stem extension, TA-Luft approved stuffing box "TSM".
Closed stem extension, without stuffing box.
Handle with position indication, lockable.
Position indication, handle operated (inductive or mechanical).



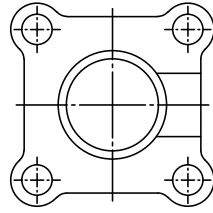
Make it better.

MODU Valves A/S • moduvalves.com

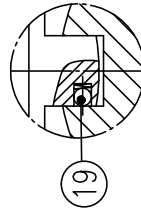
Series 83SN-20 & 2A MATERIALS LIST

SANITARY TUBE CAP
16SWG

NO.	PART NAME	QTY	MATERIAL
1	Body	1	CF3M/1.4409
2	End cap	2	CF3M/1.4409
3	Ball	1	1/2" SS316L 3/4"~2"-CF3M/1.4409
4	Seat	2	PTFE
5	Joint gasket	2	TFM1600
6	Stern	1	SS316L
7	Stern seal	1	PTFE
8	Stern Packing	1Set	PTFE
9	Gland	1	SS304
10	Belleville washer	2	SS301
11	Lock saddle	1	SS304
12	Stern nut	2	SS304
13	Handle	1	SS304
14	Handle sleeve	1	VINYL
15	Stop pin	1	SS304
16	Bolt	4	SS304
17	Bolt nut	4	SS304
18	Locking device	1	SS304
19	Anti-static Device	1	SS316
20	O-RING	1	EPDM



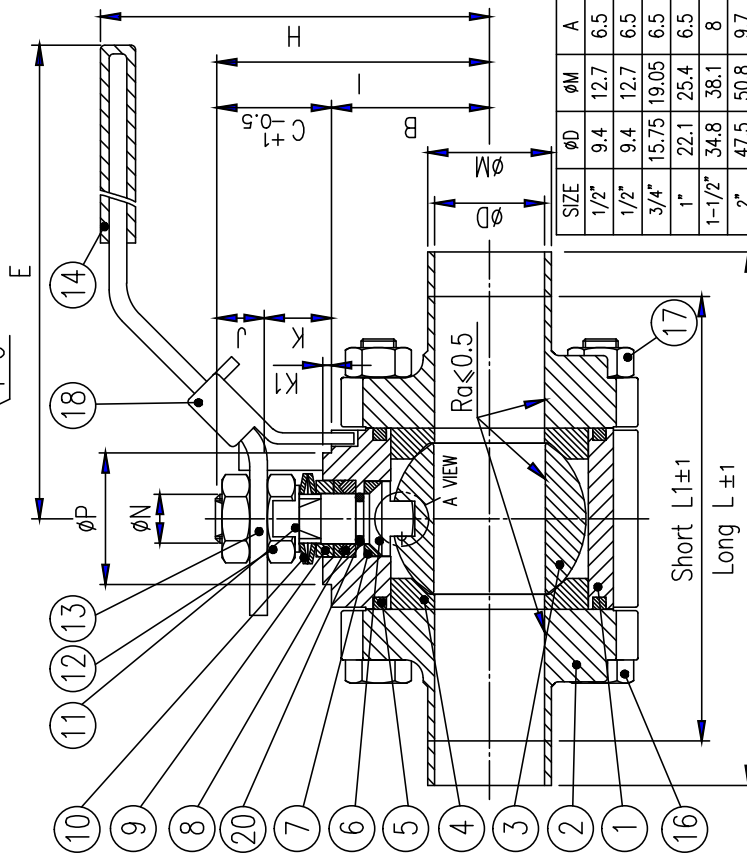
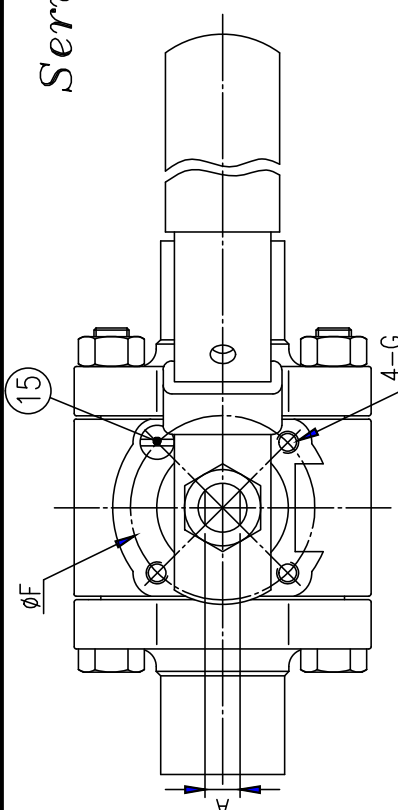
1/2"~2"



A VIEW

DIMENSIONS(mm) PS:1/2"~2" 1000 WOG BALL VALVE

SIZE	ØD	A	B	C	E	ØF	G	H	I	J	K	K1	L	L1	ØP	ØN	ISO211
1/2"	9.4	12.7	6.5	29.8	7.4	134	M5	64	37.2	6.1	1.3	0.5	66.2	25	9.5	9.5	FOR F03
1/2"	9.4	12.7	6.5	29	16.1	134	M5	72	45.1	7.3	8.8	2	134.5	25	9.5	9.5	FOR F03
3/4"	15.75	19.05	6.5	29	16.1	134	M5	72	45.1	7.3	8.8	2	140.9	75	25	9.5	FOR F03
1"	22.1	25.4	6.5	33	18.1	134	M5	77	51.1	8.8	9.3	2	161.5	94.2	25	9.5	FOR F03
1-1/2"	34.8	38.1	8	40	24.3	170	M5	88	64.3	9.7	14.6	2	182.2	114.7	30	11.1	FOR F04
2"	47.5	50.8	9.7	55.5	28.9	207	M6	110	84.4	13.7	15.2	2	191.7	128	35	14.3	FOR F05



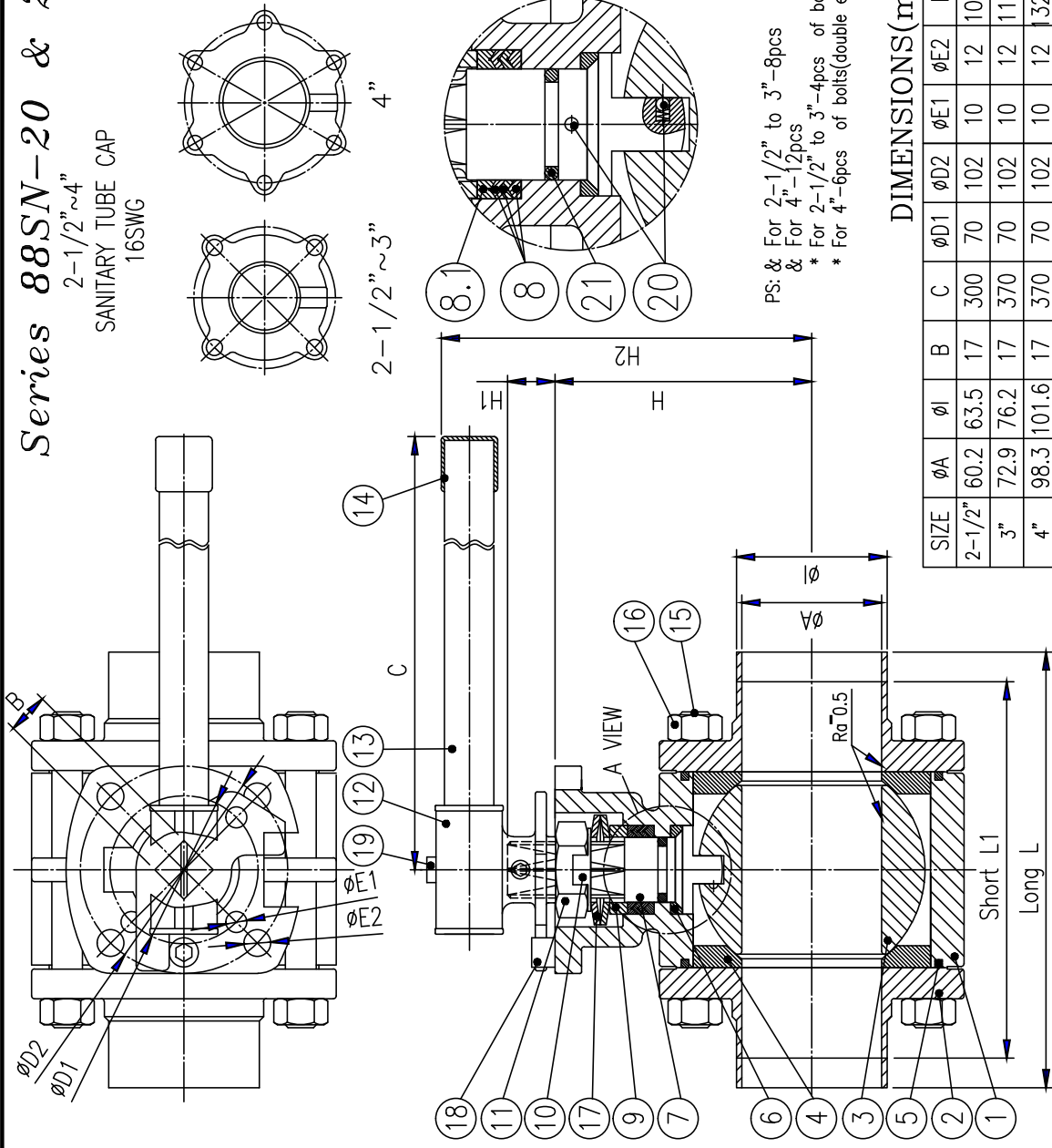
ORDER	DATE	REASON	FOR	CHANGE	CHANGE BY	REMARK

MATERIAL	DATE	CHECKED BY	DRAW BY
	2021/05/06		

DRAWING	DRAWING NAME	DRAWING NO.
V83SN-20&2A-16SWG	MVE-Series 83SN-20 & 2A 16SWG with O-ring	

Series 88SN-20 & 2A MATERIALS LIST

2-1/2"~4"
SANITARY TUBE CAP
16SWG



NO.	PART NAME	QTY	MATERIAL
1	BODY	1	CF3M/1.4409
2	END CAP	2	CF3M/1.4409
3	BALL	1	CF3M/1.4409
4	SEAT	2	PTFE
5	JOINT GASKET	2	TFM1600
6	Stem seal	1	PTFE
7	STEM	1	SS316L
8	Stem Packing	3	PTFE
8.1	Stem Packing	1	PTFE
9	GLAND	1	SS304
10	Lock saddle	1	SS304
11	STEM NUT	1	SS304
12	HANDLE-A	1	SS304
13	HANDLE-B	1	SS304
14	Handle sleeve	1	VINYL
15	BOLT	*	SS304
16	BOLT NUT &	&	SS304
17	BELLEVILLE WASHER	2	SS301
18	STOP PIN	1	SS304
19	HANDLE NUT	2	SS304
20	Anti-static Device	2	SS316
21	O-RING	1	EPDM

PS: & For 2-1/2" to 3"-8pcs
& For 4"-12pcs
* For 2-1/2" to 3"-4pcs of bolts(double ended external thread)
* For 4"-6pcs of bolts(double ended external thread)

DIMENSIONS(mm) PS: 2-1/2"~4" 800 WOG

SIZE	φA	φI	B	C	φD1	φD2	φE1	φE2	H	H1	H2	L	L1	ISO5211
2-1/2"	60.2	63.5	17	300	70	102	10	12	108.7	16.8	167	247.6	160	FOR F07 FOR F10
3"	72.9	76.2	17	370	70	102	10	12	117.7	17.8	176	266.8	176.2	FOR F07 FOR F10
4"	98.3	101.6	17	370	70	102	10	12	132.55	16.8	192	317.6	210	FOR F07 FOR F10

ORDER	DATE	REASON	FOR CHANGE	Legend	CHANGE BY	REMARK

MATERIAL	DATE	CHECKED BY	DRAW BY
	2021/05/06		

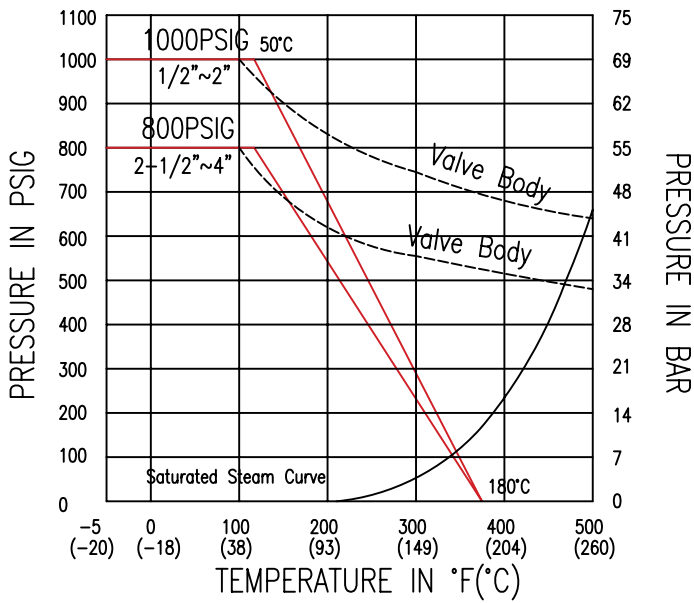
DRAWING	DRAWING NAME	DRAWING NO.	Series
V88SN-20&2A-16SWG	WAVE-Series 88SN-20 & 2A 16SWG with O-ring		

MODU 83/88

3-pcs ball valve • Stainless steel CF8M • ASME • True BORE OD

Pressure vs. Temperature

Pressure Vs. Temperature Chart



Make it better.

MODU Valves A/S • moduvalves.com