



Chemical, UV and
abrasion resistant

TAG

TAG plate

- Acid-resistant stainless steel AISI316 with TZe label -80°C to 150°C
- Industrial TAG plate in acid-resistant stainless steel AISI316
- TZe label in resistant laminated foil, which withstands wear, water, and chemicals
- Cable tie in acid-resistant stainless steel AISI316 with permanent ball lock



Make it better.

MODU[®]

TAG

TAG plate • -80 to 150°C. Waterproof. Resistant to chemicals/UV/wear. 160µ

General

TAG plate: 14x65x1mm AISI316
 Cable tie: 4.6x200mm AISI316
 Label: 12x50mm white with red text (std.)

Application area

Permanent marking of, for example, valves and assemblies.

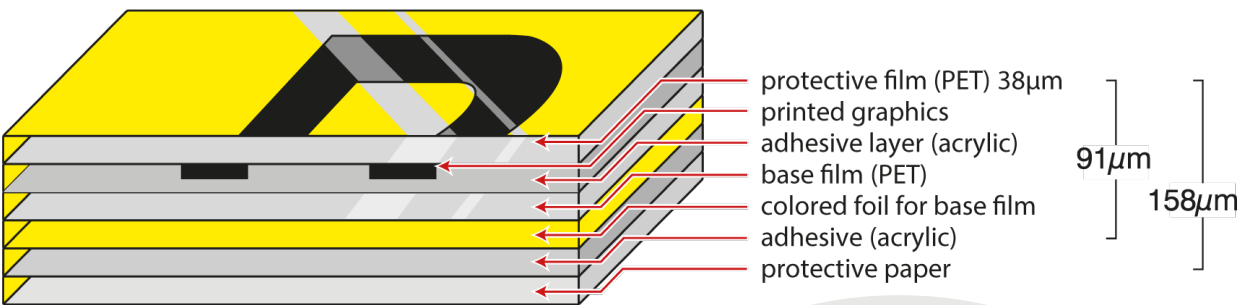
Options upon request

Label: Different label color upon request
 Layout: Solutions with, for example, company logo available
 Cable tie: 100mm, 360mm
 Fastening: With wire/seal or rivet

Chemical resistance

TZe labels are resistant to water and the following chemicals, among others*: Toluene, Hexane, Ethanol, Acetone, Ethyl Acetate, 0.1N Hydrochloric Acid, Alcohol, 0.1 Sodium Hydroxide. (* tested over 240 hours without visible changes to the label)

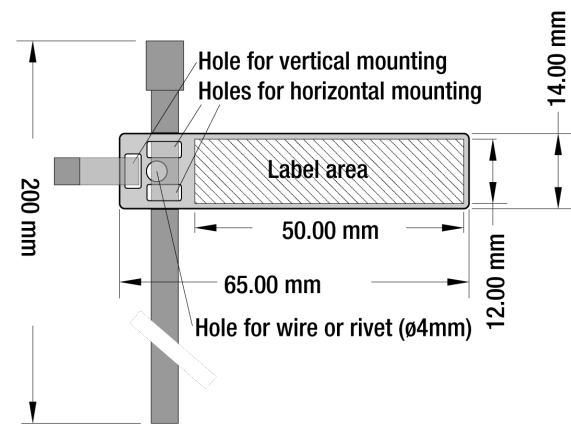
Label construction



Temperature resistance

TZe labels have been tested with good durability in the temperature range between -80°C and 150°C* (* tested over 240 hours without visible changes to the label)

Dimensions



Developed for your industry



Additional specification can be requested.

Make it better.

MODU Valves A/S • moduvalves.com

➤ Improve the quality.

We help Engineers to improve the quality of your manufacturing process.

➤ Optimize total cost.

We help Purchasing Officers to optimize total cost of production, prevent downtime and safeguard your brand.

➤ Work smarter.

We help Maintenance Crews to work smarter, while preventing time-consuming mistakes.