

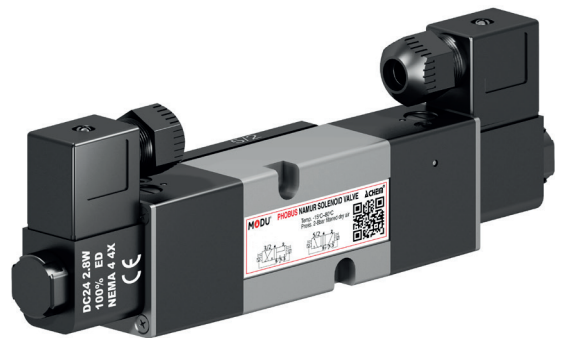


Solenoid valve can
be freely rotated
with 90 ° increments

PHOBUS Dual

Solenoid valve - dual coil

- Namur 3/2 and 5/2 way
- NBR (-15 to 80°C)
- Solenoid valve, type PHOBUS, is a high quality industrial solenoid valve with IP66 encapsulated coil and connector
- Hard anodized aluminium
- Namur interface
- Manuel override
- IP66 enclosure
- Adapter plate for 3/2 (spring return) or 5/2 (double acting)
- Coil / connector can be freely rotated with 90° increments



Make it better.

MODU[®]

PHOBUS Dual

Solenoid valve – dual coil • SIL3, CE, CSA, IP66

Field of application

Pneumatic actuator with Namur interface.

Connections

Port 2 and 4 (Namur), Port 1,3 and 5 (1/4" BSPP)

Voltage / Consumption

24VDC / 2,8W, 24VAC / 4VA, 230VAC / 4VA

Connector / enclosure

3-pol, DIN 46244 Form B / IP66 for cable ø5...8mm

Supply pressure

2...8Bar, dry filtered air according to (DIN/ISO 8573-1 Class 3)

Temperature

NBR (-15 to 80°C)

Flow rate

Kvs 0,95m³/h or 1.250L/min (6 bar)

Options

Other coil voltage. Single coil. Atex coil.

Developed for your industry



Additional specification can be requested.

Make it better.

MODU Valves A/S • moduvalves.com

➤ Improve the quality

We help Engineers to improve the quality of your manufacturing process.

➤ Optimize total cost

We help Purchasing Officers to optimize total cost of production, prevent downtime and safeguard your brand.

➤ Work smarter

We help Maintenance Crews to work smarter, while preventing time-consuming mistakes.

PHOBUS Dual

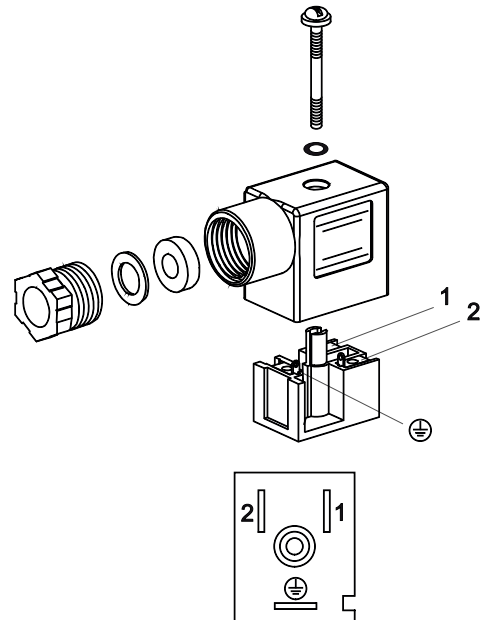
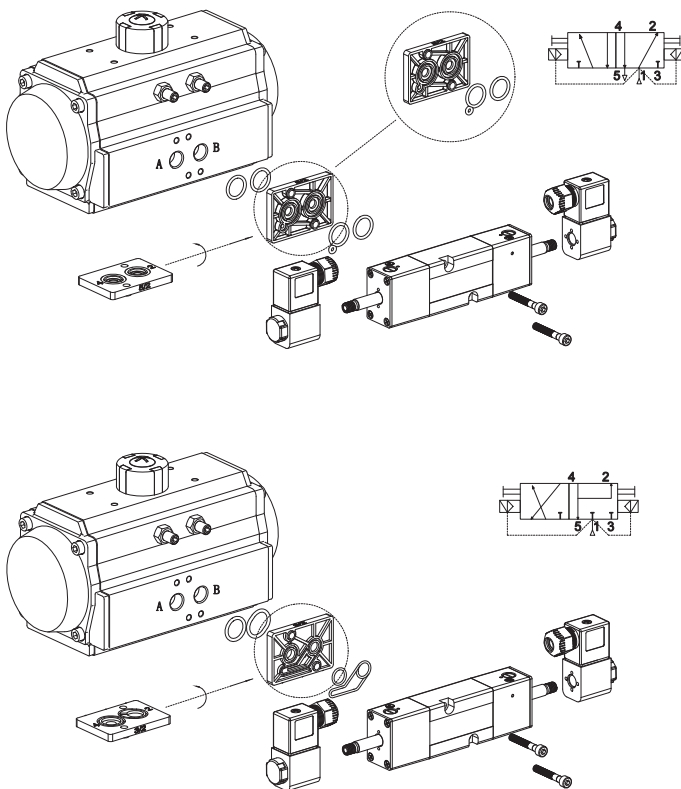
Solenoid valve - dual coil • SIL3, CE, CSA, IP66

Assembly solenoid valve

For double acting actuators, use the supplied 5/2-way adapter plate. For single acting, spring-return actuators, use the supplied 3/2-way adapter plate.

Electrical wiring

24VDC	1(+), 2(-), Ground
24VAC	1(Phase), 2(N), Ground
230VAC	1(Phase), 2(N), Ground

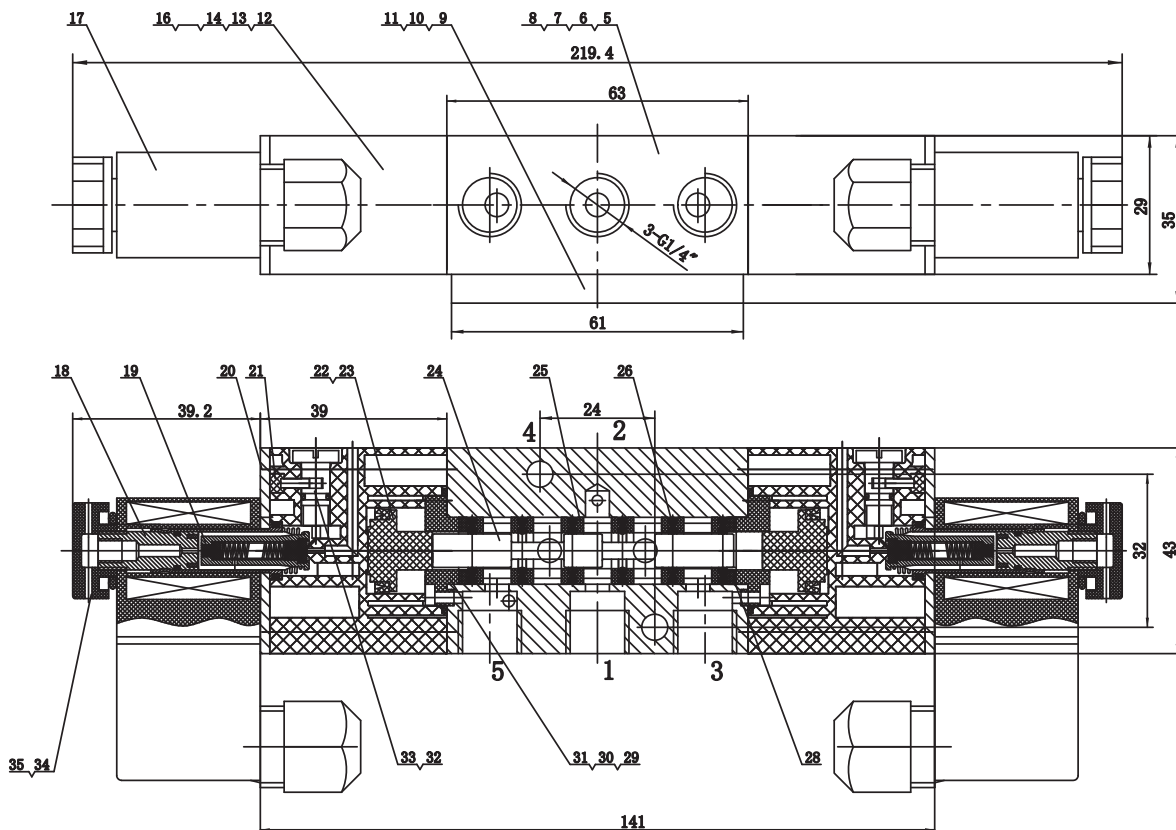


PHOBUS Dual

Solenoid valve - dual coil • SIL3, CE, CSA, IP66

Material

Pos	Description	Material	Pos	Description	Material
5	Body	Aluminium (6063)	21	Plug	NBR
6	Ball	Stainless steel aisi304	22	Piston ring	NBR
7	Cap	PE	23	Piston	Reinforced OM
8	Cap	PE	24	Spool	Aluminium (6063)
9	Adapter plate 5/2	Pa+30% glass fibre	25	Distance piece	POM
10	Adapter plate 3/2	Pa+30% glass fibre	26	Seal	NBR
11	Bolt	Stainless steel aisi304	28	Plate	PE
12	Pilot control	PBT+15% glass fibre	29	Plate	PE
13	Ball	Stainless steel aisi304	30	Double o-ring	NBR
14	Bolt	Stainless steel aisi304	31	Plate	PE
16	Pin	Stainless steel aisi304	32	O-ring	NBR
17	Coil	Encapsulated copper	33	Manuel overwrite	H62 plastic
18	Magnetic core fixed	Stainless steel	34	Nut	POM+30% glass fibre
19	Movable core	Stainless steel	35	O-ring	NBR
20	Plate	Stainless steel aisi304			



Make it better.

MODU Valves A/S • moduvalves.com