



High quality
industrial electric
actuator

HQ-006

Electric actuator 60Nm

- Voltage: 24VAC/DC, 230VAC
- -20 to 70°C
- High quality industrial electric actuator
- Robust epoxy-painted aluminum
- ISO5211 connection
- IP67 enclosure
- Compact construction
- Good visual indicator
- Built-in heater
- Steel gear unit
- Manual emergency operation



Make it better.

MODU[®]

HQ-006

Electric actuator 60Nm • RINA, EAC, IP67, UL/CSA, LVD2006/96/CE

General

Torque: 60Nm
 Voltage: 24V AC/DC or 230VAC 50/60Hz (option)
 Connection: F03/F05/F04 (14x14mm double square)
 Stop: Open/close by adjustable switches
 Feed back: Open/close 2 x "NO" switches 5A
 Visual indicator: Rotary arrow
 Duty time: S2 30min
 Run time 0-90°: 14sek
 Consumption: 24VAC/DC / 230VAC - 1,7A / 0,2A

Application

90° rotary valves, such as smaller butterfly valves, ball valves, dampers, etc.

Cut-through model of HQ-006



Optional

ATEX enclosure
 IP68 enclosure



Developed for your industry



Additional specification can be requested.

Make it better.

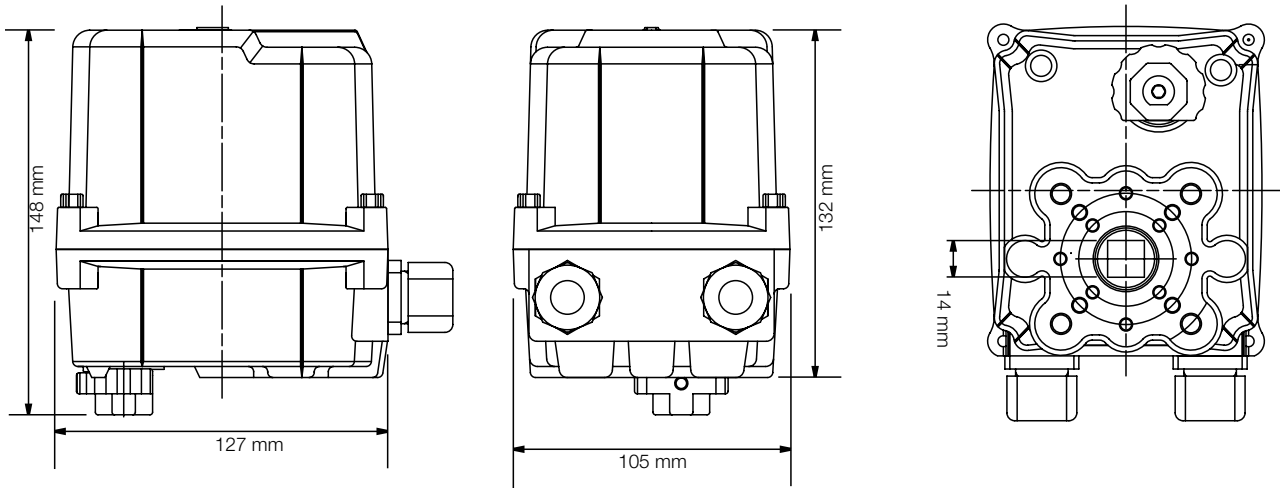
MODU Valves A/S • moduvalves.com

- **Improve the quality**
 We help Engineers to improve the quality of your manufacturing process.
- **Optimize total cost** We help Purchasing Officers to optimize total cost of production, prevent downtime and safeguard your brand. **Work smarter** We help Maintenance Crews to work smarter,
- while preventing time-consuming mistakes.

HQ-006

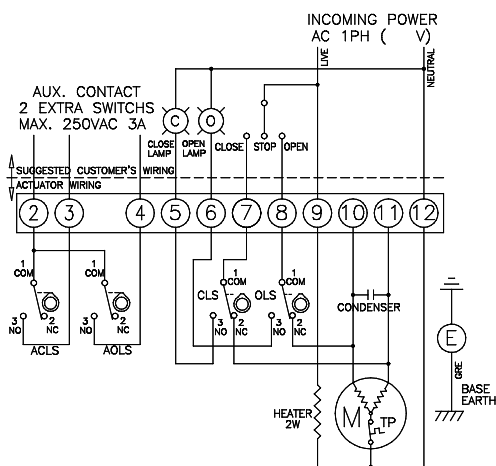
Electric actuator 60Nm • RINA, EAC, IP67, UL/CSA, LVD2006/96/CE

Dimensions

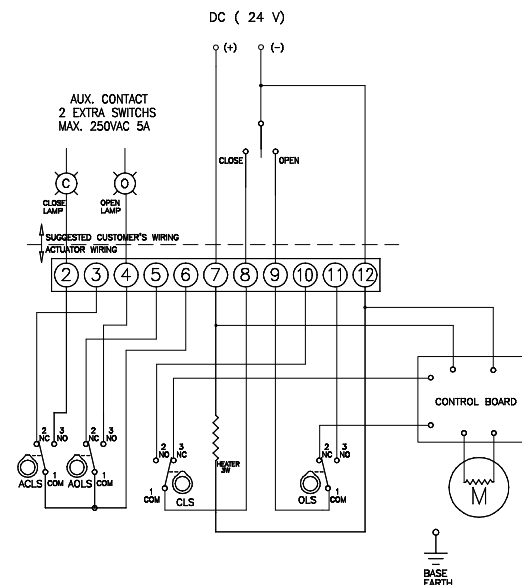


Model	Torque	Open / close time(sec.) 24VDC and 230VAC	Consumption [A] 230VAC - 24VDC	Duty range	Switches	ISO5211	Weight [kg]
HQ-006	60Nm	14	0.2 1.7	S2 30min	2 x SPDT 250V Max 5A	F03 F05 F07	3.1

Wire diagram 3-point control 1-phase 24VDC/AC Multiboard



Wire diagram 3-point control 1-phase 230VAC



Make it better.

MODU Valves A/S • moduvalves.com

HQ-006 PCU/PIU

Electric actuator 60Nm modulating • RINA, EAC, IP67, UL/CSA, LVD2006/96/CE

General

- Voltage: 24VAC, 230VAC
- -20 to 70°C
- High quality industrial electric actuator
- Robust epoxy-painted aluminum
- ISO5211 connection
- IP67 enclosure
- Compact construction
- Good visual indicator
- Built-in heater
- Steel gear unit
- Manual emergency operation

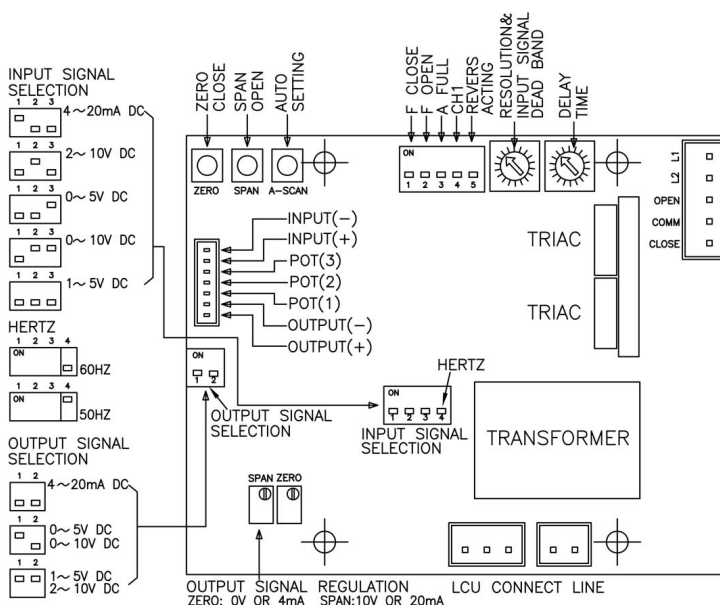


Torque: 60Nm
 Voltage: 24V AC or 230VAC 50/60Hz (option)
 Input/output: 4-20mA, 0-5V, 0-10V, 1-5V, 2-10V
 Connection: F03/F05/F04
 (14x14mm double square)
 Stop: Open/close by adjustable switches
 Visual indicator: Rotary arrow
 Duty time: S4 70%
 Run time 0-90°: 14sek
 Consumption: 24VAC/DC / 230VAC - 1,7A / 0,2A

Application

Modulating service of 90° rotary valves, such as smaller butterfly valves, ball valves, dampers, etc.

Motherboard layout



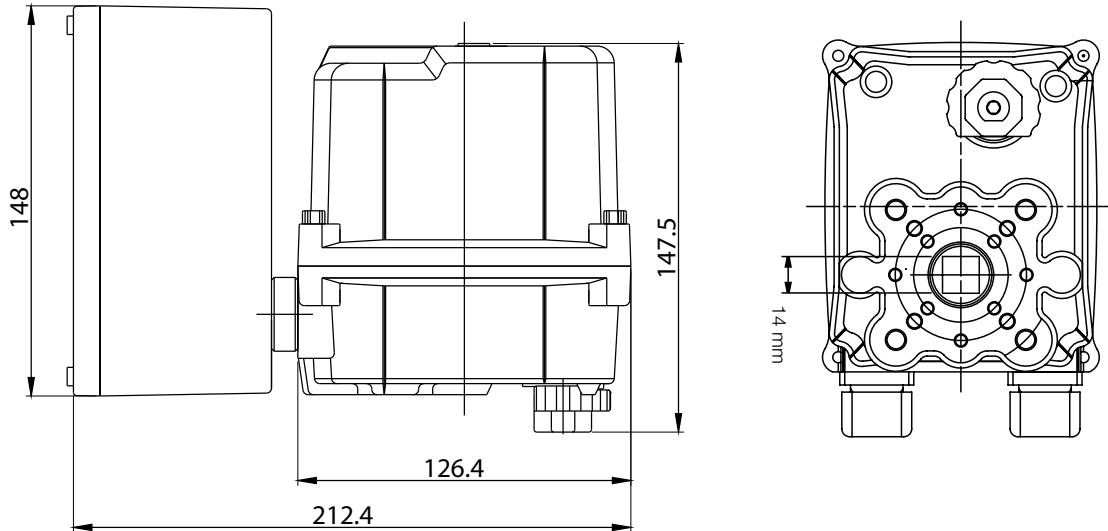
Make it better.

MODU Valves A/S • moduvalves.com

HQ-006 PCU/PIU

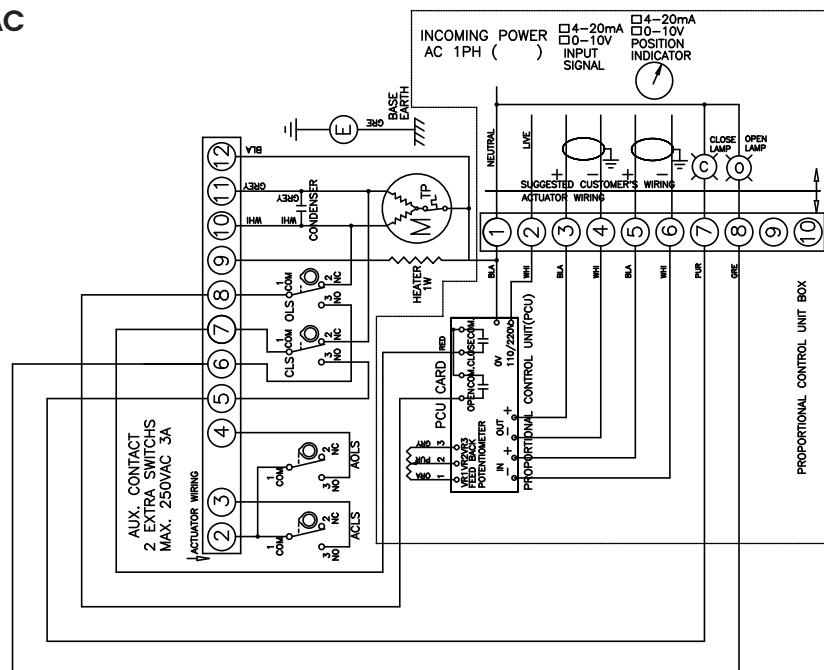
Electric actuator 60Nm modulating • RINA, EAC, IP67, UL/CSA, LVD2006/96/CE

Dimensions



Model	Torque	Open / close time(sec.) 24VDC and 230VAC	Consumption [A] 230VAC - 24VDC	Duty range	Input / Output	ISO5211	Weight [kg]
HQ-006 PCU/PIU	60Nm	14	0.2 1.7	S4 70%	4-20mA 0-5V 0-10V	F03 F05 F07	4.0

Wire diagram 1-phase AC



Make it better.

MODU Valves A/S • moduvalves.com