



High quality  
industrial electric  
actuator

## HQ-015

Electric actuator 150Nm

- Voltage: 24VDC, 230VAC
- -20 to 70°C
- High quality industrial electric actuator
- Robust epoxy-painted aluminum
- ISO5211 connection
- IP67 enclosure
- Compact construction
- Good visual indicator
- Built-in heater
- Steel gear unit
- Manual emergency operation



Make it better.

**MODU**<sup>®</sup>

# HQ-015

Electric actuator 150Nm • SIL2/SIL3, IP67, RINA, UL / CSA, EAC, LVD2006/96/CE

## General

Torque: 150Nm  
 Voltage: 24V DC or 230VAC 50/60Hz  
 Connection: F07/F10 (17x17mm square)  
 Adjustment: Open/close by adjustable switches  
 Feed back: Open/close 2 x "NO" switches 16A  
 Torque switch: SPDT 16A  
 Thermistor: 150°C+/-5°  
 Visual indicator: Rotary arrow  
 Duty time: S2 30min  
 Run time 0-90°: 25sek  
 Consumption: 24VDC / 230VAC - 5,3A / 1,0A  
 Heater: 10W

## Application

90° rotary valves, such as smaller butterfly valves, ball valves, dampers, etc.

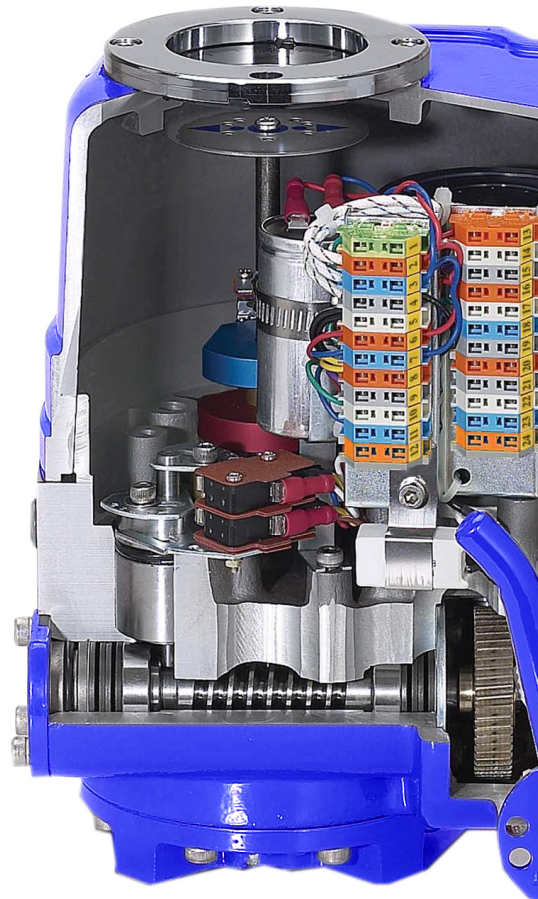
## Standard specification HQ-series

Temperature: -20 to 70°C  
 Humidity: Max 90%RH  
 Vibrations: Max 10g, X Y Z, 0,2 to 34Hz, 30min.  
 Voltage: +/- 10% of rated voltage

## Design

Lubrication: The gear is lubricated with (Moly EP type), can be supplied with low temperature grease.  
 Surface: Anodized + powder coated, Polyester  
 Materials: Steel, aluminum alloy, aluminum bronze, polycarbonate

Cut-through model of HQ-015



## Developed for your industry



Additional specification can be requested.

## Make it better.

MODU Valves A/S • moduvalves.com

### ➤ Improve the quality

We help Engineers to improve the quality of your manufacturing process.

### ➤ Optimize total cost

We help Purchasing Officers to optimize total cost of production, prevent downtime and safeguard your brand.

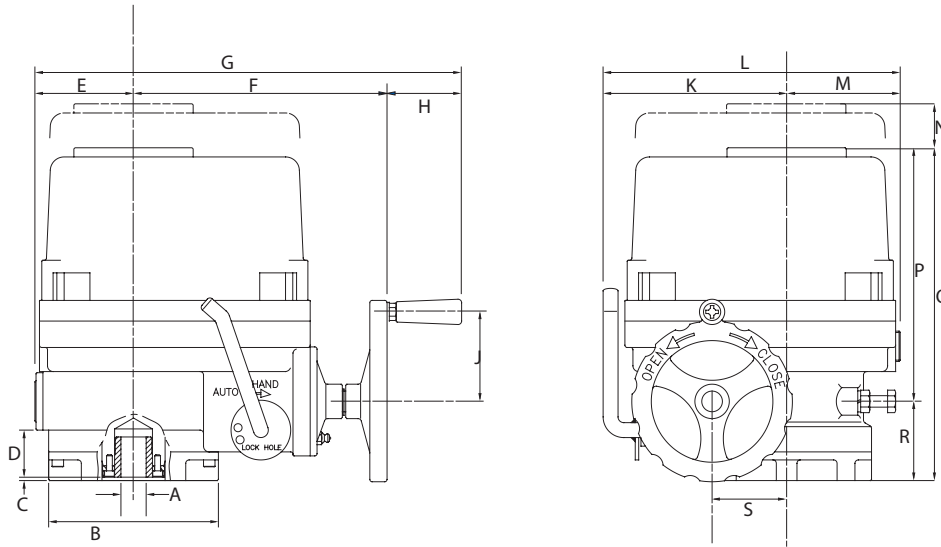
### ➤ Work smarter

We help Maintenance Crews to work smarter, while preventing time-consuming mistakes.

# HQ-015

Electric actuator 150Nm • SIL2/SIL3, IP67, RINA, UL / CSA, EAC, LVD2006/96/CE

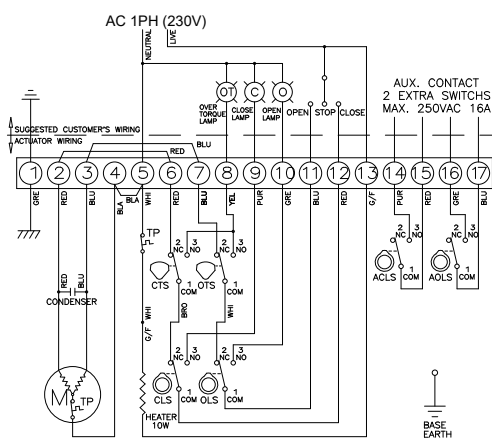
## Dimensions



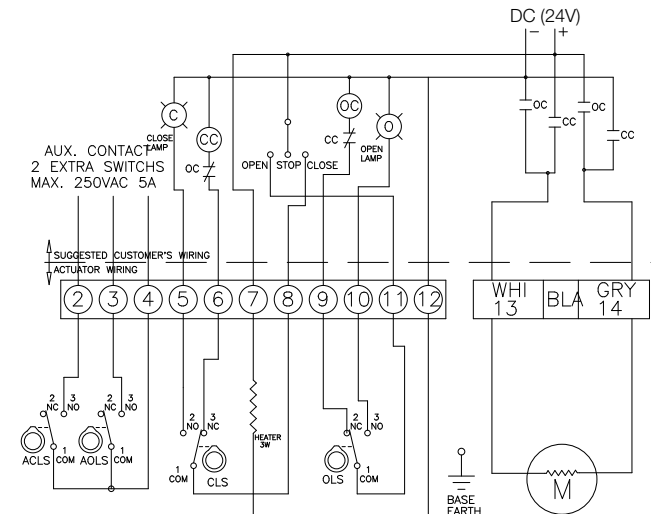
Model	ISO 5211	A	B	C	D	E	F	G	H	J	K	L	M	N	P	Q	R	S
HQ-015	F07/F10	17x17*	125	3	42	73	73	338	65	78	142	229	87	160	192	260	68	54

\*optional other connection (Max  $\varnothing$ 22mm)

## Wire diagram 3-point control 1-phase 230VAC



## Wire diagram 3-point control 1-phase 24VDC HQ-015...030



**Make it better.**

MODU Valves A/S • moduvalves.com



# HQ-015

Electric actuator 150Nm • SIL2/SIL3, IP67, RINA, UL / CSA, EAC, LVD2006/96/CE

## Optional

Torque:	80Nm...11.000Nm
Voltage:	100VAC, 110VAC, 200VAC, 380VAC 3P, 400VAC 3P, 440VAC 3P, 460VAC 3P [50/60Hz]
WTA:	IP68 enclosure (10m - 72timer)
EXTB:	Atex [Ex tb IIC T135°C] - IECEx, ATEX KCs HQ-008..HQ-030
EXD:	Atex [EX d IIB T4] - IECEx, ATEX, CSA, EAC, KCs HQ-008..HQ-030
PIU:	Potentiometer (0-1kΩ) feedback.
PCU:	Modulating control (0-10V or 4-20mA input/output)
LUC-Z:	Local control 1-faset HQ-008..HQ-030
LUC-B:	Local control + display (IMS) except HQ- 008..HQ-010
LUC-C:	Local control + LCD (IMS + phase pro- tection) HQ-008..HQ-010
CPT:	Analog feedback 4-20mA
EXT:	Extended rotation 120°, 180°, 270°
RBP:	Battery backup unit HQ-008..HQ-030
SLU:	Local indication light/diode
FPA1:	Firesafe (1050°C +/-5°C / 50min)
FPA2:	Firesafe (250°C +/-5°C / 150min)



# HQ-015 PCU/PIU

Electric actuator 150Nm modulating • SIL2/SIL3, IP67, RINA, UL/CSA, EAC, LVD2006/96/CE

## General

- Voltage: 24VAC, 230VAC
- -20 to 70°C
- High quality industrial electric actuator
- Robust epoxy-painted aluminum
- ISO5211 connection
- IP67 enclosure
- Compact construction
- Good visual indicator
- Built-in heater
- Steel gear unit
- Manual emergency operation



Torque: 150Nm  
 Voltage: 230VAC 50/60Hz  
 Connection: F07/F10 (17x17mm square)  
 Adjustment: Open/close by adjustable switches  
 Input/Output: 0-10V and 4-20mA  
 Torque switch: SPDT 16A  
 Thermistor: 150°C +/-5°  
 Visual indicator: Rotary arrow  
 Duty time: S4 70%  
 Run time 0-90°: 25sek  
 Consumption: 230VAC / 1,0A  
 Heater: 10W

## Application

Modulating service of 90 ° rotary valves, such as smaller butterfly valves, ball valves, dampers, etc.

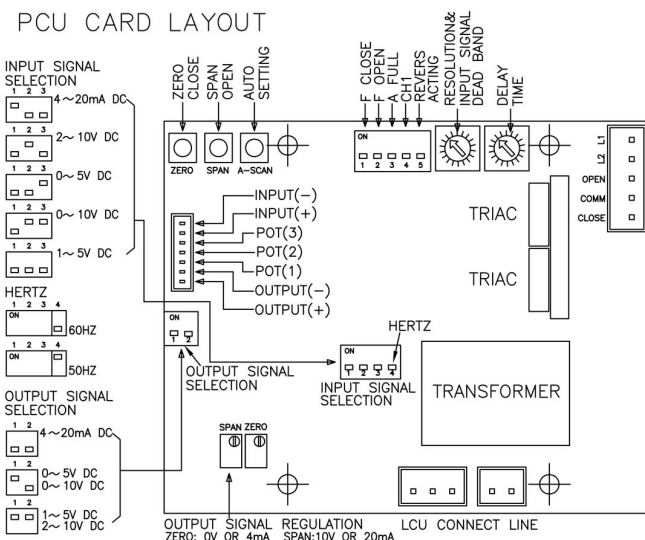
## Standard specification HQ-series

Temperature: -20 to 70°C  
 Humidity: Max 90%RH  
 Vibrations: Max 10g, X Y Z, 0,2 to 34Hz, 30min.  
 Voltage: +/- 10% of rated voltage

## Design

Lubrication: The gear is lubricated with (Moly EP type), can be supplied with low temperature grease.  
 Surface: Anodized + powder coated, Polyester  
 Materials: Steel, aluminum alloy, aluminum bronze, polycarbonate

## PCU card for modulating service



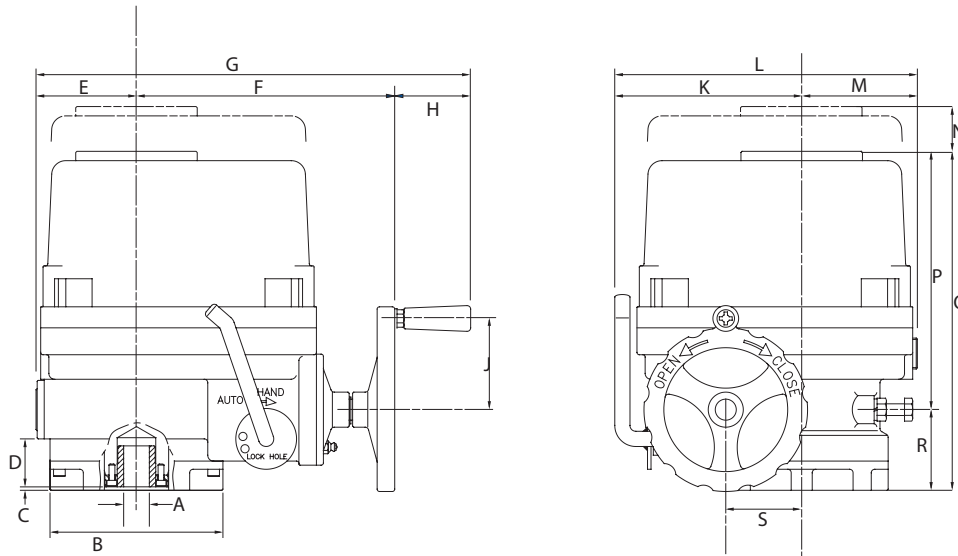
Make it better.

MODU Valves A/S • moduvalves.com

# HQ-015 PCU/PIU

Electric actuator 150Nm modulating • SIL2/SIL3, IP67, RINA, UL/CSA, EAC, LVD2006/96/CE

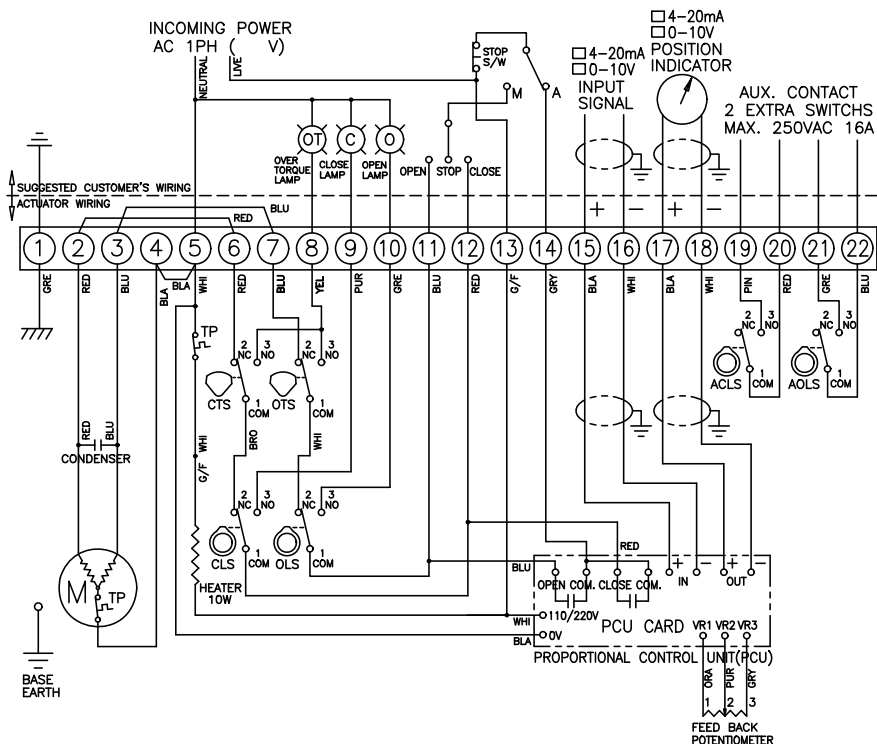
## Dimensions



Model	ISO 5211	A	B	C	D	E	F	G	H	J	K	L	M	N	P	Q	R	S
HQ-006 PCU/PI5	F07/F10	17x17*	125	3	42	73	200	338	65	78	142	229	87	160	192	260	68	54

\*optional other connection (Max ø22mm)

## Wire diagram 1-phase AC modulating



**Make it better.**

MODU Valves A/S • moduvalves.com