

S12

Y-Strainer with PN16 flanges

General

- Industrial strainer in cast iron
- Heavy-duty thickness PN16
- Flanged connection
- Heavy-duty epoxy powder coating
- Drain hole with possibility for mounting a drain valve

Connections

Flange EN1092-1 DIN PN16

Measurements

EN558-1 serie 1

Temperature

-20°C til 230°C

Description

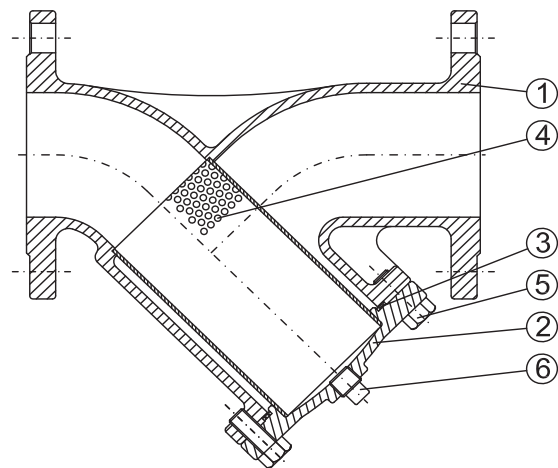
The strainer is designed to allow the medium to pass through the filter, capturing and retaining particles of a certain size in the filter. They are used in pressurized piping systems for gas or liquid but can also be used in suction or vacuum conditions.

Strainers are intended for applications where small amounts of solid particles are expected. A drain hole on the outlet port allows for purging without removing the filter and without interrupting the process.



Materials

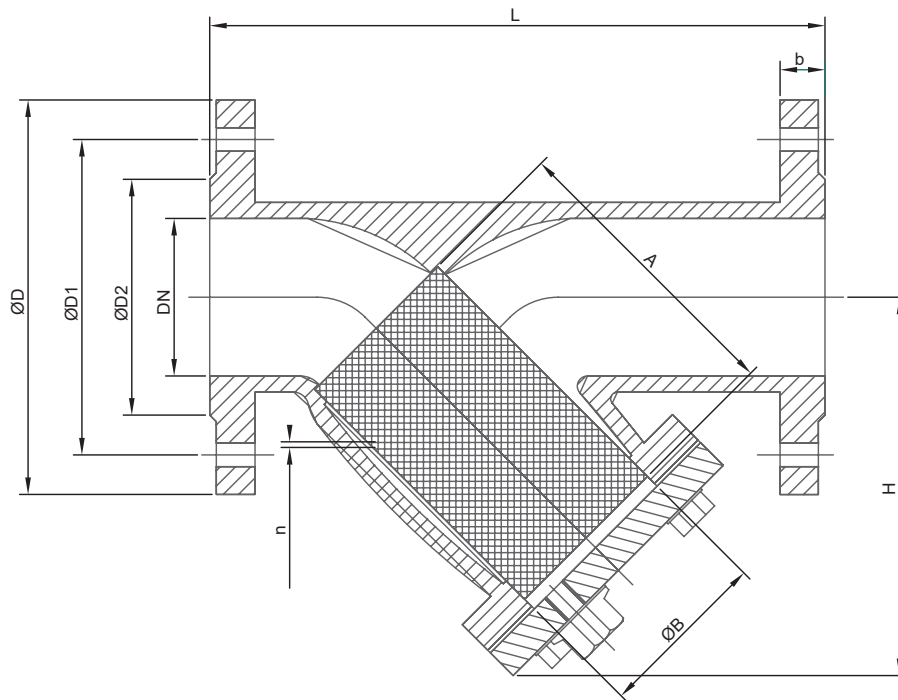
Pos	Description	Material
1	Body	Cast iron
2	Bottom flange.....	Cast iron
3	Gasket	PTFE
4	Filter.....	Stainless steel AISI304
5	Bolts.....	Stainless steel AISI304
6	Plug.....	Stainless steel AISI304



S12

Y-Strainer with PN16 flanges

Dimensions



DIM	DN	A	B	b	D	D1	D2	H	L	n	Weight
All measurements in [mm]										[MESH]	[kg]
2"	50	100	54	19	165	125	90	130	230	40	9
2-1/2"	65	125	69	19	185	145	103	155	290	40	12
3"	80	165	83	19	200	160	122	185	310	40	17
4"	100	185	105	19	220	180	154	230	350	40	28
5"	125	205	129	19	250	210	186	270	400	40	40
6"	150	226	156	19	285	240	207	300	480	40	46
8"	200	290	205	20	340	295	264	400	600	40	82
10"	250	389	256	22	400	355	328	500	730	40	127
12"	300	460	305	25	455	410	374	580	850	40	200