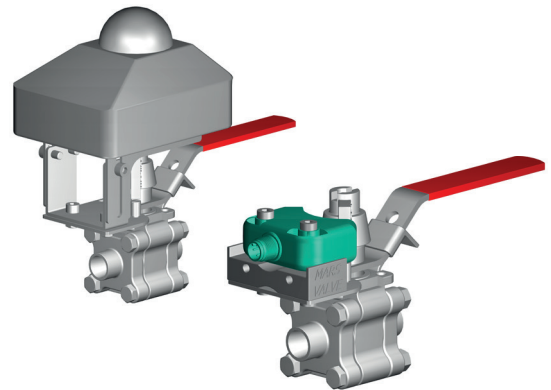


MIB

MODU Indicator Bracket

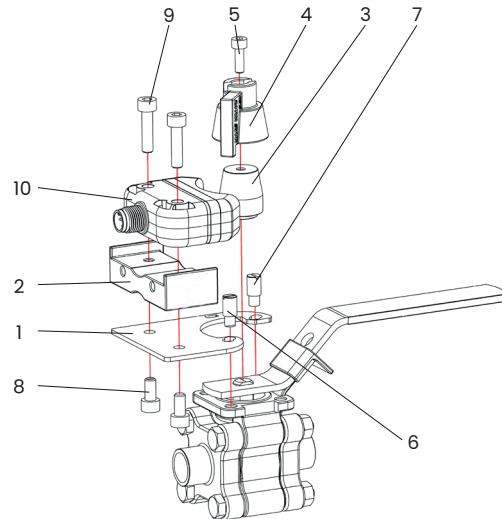
General

- Stainless steel "1.4408"
- For feedback signal on manual operated ball valves
- Industrial feedback solution for mounting inductive sensor or mechanical box on manual valves
- Compact solution
- Requires no modification of the valve
- The stem nut of the handle is replaced by an adapter cone for indicator
- Durable design in acid-proof stainless steel



Individual parts DN08-DN50

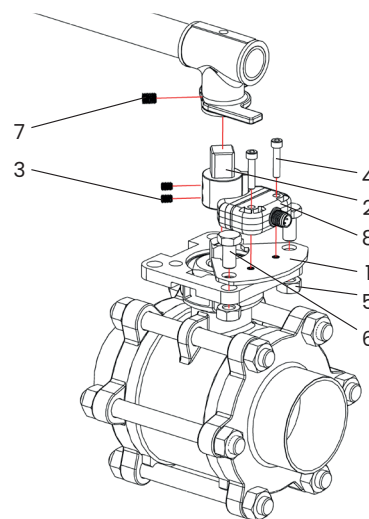
| Pos | Description | Material |
|-----|----------------------|-------------------------|
| 1 | VDI base plate | Stainless steel AISI316 |
| 2 | MIB bracket | Stainless steel 1.4408 |
| 3 | Threaded cone* | Stainless steel 1.4408 |
| 4 | MI indicator | Stainless steel 1.4408 |
| 5 | Unbraco bolt | Stainless steel A4 |
| 6 | Bracket bolt | Stainless steel A4 |
| 7 | Stop bolt | Stainless steel A4 |
| 8 | Unbraco bolt (2 pcs) | Stainless steel A4 |
| 9 | Unbraco bolt (2 pcs) | Stainless steel A4 |
| 10 | Inductive sensor | PBT plastic IP67 |



* It is recommended to use Loctite when mounting the threaded cone on the valve stem.

Individual parts DN65-DN100

| Pos | Description | Material |
|-----|----------------------|-------------------------|
| 1 | VDI mounting bracket | Stainless steel AISI316 |
| 2 | MII7 - coupling | Stainless steel 1.4408 |
| 3 | Socket screw (2 pcs) | Stainless steel A4 |
| 4 | Unbraco bolt (2 pcs) | Stainless steel A4 |
| 5 | Nut (2 pcs) | Stainless steel A4 |
| 6 | Bolt (2 pcs) | Stainless steel A4 |
| 7 | Socket screw handle | Stainless steel A4 |
| 8 | Inductive sensor | PBT plastic IP67 |



MIB

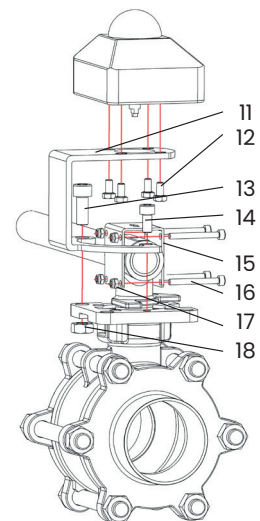
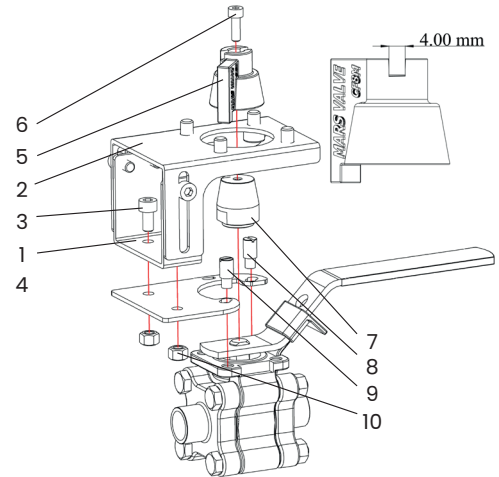
MODU Indicator Bracket

Individual parts VDE50 bracket for mechanical box. DN08–DN50. Adjustment height above ISO-top 46...70mm

| Pos | Description | Material |
|-----|----------------------|-------------------------|
| 1 | VDE50 lower part | Stainless steel AISI316 |
| 2 | VDE50 upper part | Stainless steel AISI316 |
| 3 | Unbraco bolt (2 pcs) | Stainless steel A4 |
| 4 | VDI base plate | Stainless steel AISI316 |
| 5 | MI adaptor | Stainless steel 1.4408 |
| 6 | Unbraco bolt | Stainless steel A4 |
| 7 | Threaded cone | Stainless steel 1.4408 |
| 8 | Stop bolt | Stainless steel A4 |
| 9 | Bracket bolt | Stainless steel A4 |
| 10 | Nut (2 pcs) | Stainless steel A4 |

For size DN65F–DN100F

| | | |
|----|----------------------|-------------------------|
| 11 | VDI10B bracket | Stainless steel AISI316 |
| 12 | Bolt (4 pcs) | Stainless steel A4 |
| 13 | Unbraco bolt | Stainless steel A4 |
| 14 | Unbraco bolt | Stainless steel A4 |
| 15 | P34 adapter | Stainless steel AISI316 |
| 16 | Unbraco bolt (4 pcs) | Stainless steel A4 |
| 17 | Locking nut (4 pcs) | Stainless steel A4 |
| 18 | Nut | Stainless steel A4 |



MIB

MODU Indicator Bracket

Bracket selection overview

| 3-pcs ball valve MODU 83 | | Mounting of inductive sensor | | | | Mounting of mechanical box | | | | | |
|-----------------------------|-------|------------------------------|----|----|-----|--|-------------------------|----|-------|-------------------|--------------------------------|
| | | VDI | C | MI | MIB | Sensor | VDI | C | MI | VDE50 | Box |
| DN08F | | VDI34 | C1 | MI | MIB | S1 Sensor with plug NBN4-F25-E8-V1 | VDI34 | C1 | MI | VDE50 | B1 Box with 2 x SPDT DEIMOS |
| DN10F | DN15R | | | | | S2 Sensor with 5 m cable NBN3-F25-Z8-5M | | | | | B2 2 x SPDT Wireless |
| DN15F | DN20R | | | | | S3 Sensor with 5 m cable ATEX EX II EEX ia IIC T6 NCN3-F25-N4-5M | | | | | B3 Box with 2 x SPDT ATEX |
| DN20F | DN25R | VDI45 | C2 | MI | MIB | VDI45 | C2 | MI | VDE50 | Others on request | Others on request |
| DN25F | DN32R | | | | | | | | | | |
| DN32F | DN40R | VDI45 | C3 | MI | MIB | VDI45 | C3 | MI | VDE50 | Others on request | Others on request |
| DN40F | DN50R | | | | | | | | | | |
| DN50F | DN65R | | | | | | | | | | |
| Example of ordering code | | 21-VDI34-C1-MI-MIB-S1 | | | | | 21-VDI34-C1-MI-VDE50-B1 | | | | |

| 3-pcs ball valve MODU 88 | | Mounting of inductive sensor | | | | Mounting of mechanical box | | | | | |
|-----------------------------|-------|------------------------------|----|----|-----|---|-------|----|-------|-------------------|--------------------------------|
| | | VDI | C | MI | MIB | Sensor | VDI | C | MI | VDE50 | Box |
| DN08F | | VDI34 | C2 | MI | MIB | S1 Sensor with plug NBN4-F25-E8-V1 | VDI34 | C2 | MI | VDE50 | B1 Box with 2 x SPDT DEIMOS |
| DN10F | DN15R | | | | | S2 Sensor with 5m cable NBN3-F25-Z8-5M | | | | | B2 2 x SPDT Wireless |
| DN15F | DN20R | | | | | S3 Sensor with 5m cable ATEX EX II EEX ia IIC T6 NCN3-F25-N4-5M | | | | | B3 Box with 2 x SPDT ATEX |
| DN20F | DN25R | VDI05 | C3 | MI | MIB | VDI05 | C3 | MI | VDE50 | Others on request | Others on request |
| DN25F | DN32R | | | | | | | | | | |
| DN32F | DN40R | VDI07 | C4 | MI | MIB | VDI07 | C4 | MI | VDE50 | Others on request | Others on request |
| DN40F | DN50R | | | | | | | | | | |
| DN50F | DN65R | | | | | | | | | | |

| 3-pcs ball valve MODU 88 | | Mounting of inductive sensor "pipe handle" | | | Mounting of mechanical box "pipe handle" | | |
|-----------------------------|--------|--|------|-------------------|--|-----|--------------------------------|
| | | VDI | MI | Sensor | VDI | P | Box |
| DN65F | DN80R | VDI10 | MI17 | S1 NBN4-F25-E8-V1 | VDI10B | P34 | B1 Box with 2 x SPDT DEIMOS |
| DN80F | DN100R | | | S2 NBN3-F25-Z8-5M | | | B2 2 x SPDT Wireless |
| DN100F | | | | S3 NCN3-F25-N4-5M | | | B3 Box with 2 x SPDT ATEX |

Make it better.

MODU Valves A/S • moduvalves.com