

SPRING RETURN SAFETY HANDLE

SRS • Stainless steel AISI304 • TSM or MODU 22/88/90D/99 ball valve

General description

Industrial spring-return handle for automatic closing of 90° rotary valves. Sturdy construction with pre-loaded spring • Vinyl grip • Can be used for up to 2" valves • ISO5211 mounting.

Usable for

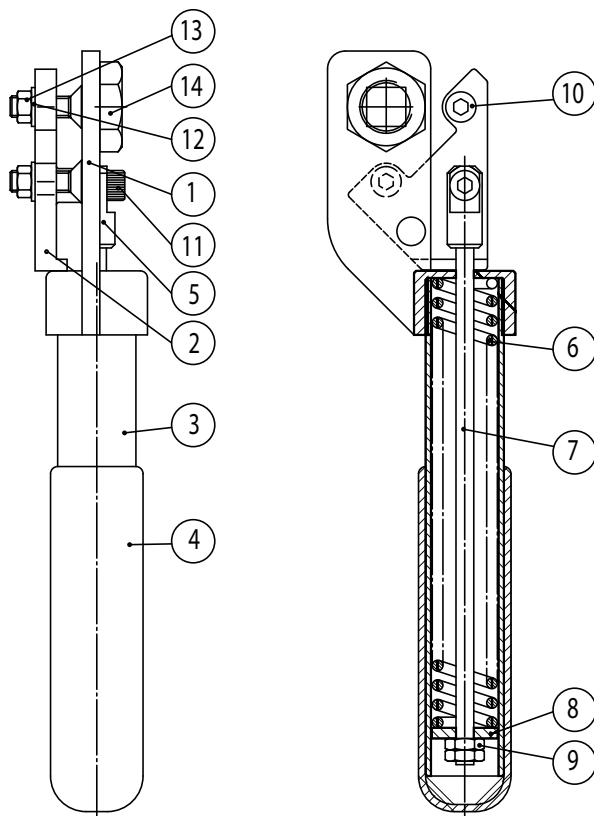
For automatic closing of a manual valve, for example during sampling.

Connection

SRS9: 9x9mm F04
 SRS11: 11x11mm F05
 SRS14: 14x14mm F07



Parts description



Materials

Pos	Description	Material
1	Mounting Plate	Stainless Steel CF8
2	Spindle Plate	Stainless Steel CF8
3	Pipe Handle	Stainless Steel AISI304
4	Grip	Vinyl
5	Bushing	Stainless Steel AISI304
6	Spring	SWP Steel
7	Threaded Shaft	Stainless Steel AISI304
8	Washer	Stainless Steel AISI304
9	Nut	Stainless Steel A2
10	Unbraco Bolt	Stainless Steel A2
11	Unbraco Bolt	Stainless Steel A2
12	Washer	Stainless Steel A2
13	Nut	Stainless Steel A2
14	Spindle Nut "NYLOK"	Stainless Steel AISI304

Torque

The SRS spring-return handle can be used for the following spindle torques:

SRS9: 12Nm
 SRS11: 26Nm
 SRS14: 35Nm

The spindle torque with a safety factor of 30% should not exceed the specified values.

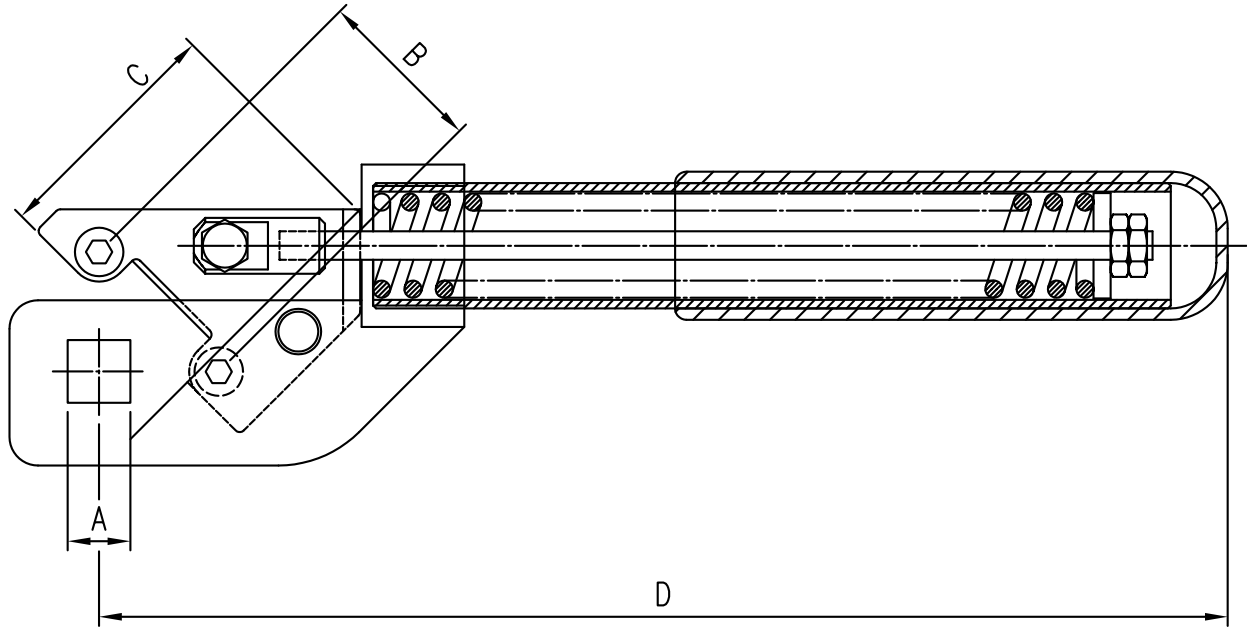
Make it better.

MODU Valves A/S • moduvalves.com

SPRING RETURN SAFETY HANDLE

SRS • Stainless steel AISI304 • TSM or MODU 22/88/90D/99 ball valve

Dimensions



MODU 83

SIZE	ISO5211	A	B	C	D	MODU 22	MODU 88FB	MODU 90D
SRS9	F04	9	29,7	42,4	195	DN08-DN20	DN08-DN20	-
SRS11	F05	11	35,3	43,7	195	DN25-DN32	DN25-DN32	DN15-DN25
SRS14	F07	14	49,9	54,7	265	DN40-DN50	DN40-DN50	DN32

Spare Parts

Complete spring-return handle with mounting bolts/washers.

Information

Due to the mounting form, the handle is still positioned at a 45° angle in relation to the pipe string.
The handle can be used on valves with a square spindle and direct ISO-mounting on top.